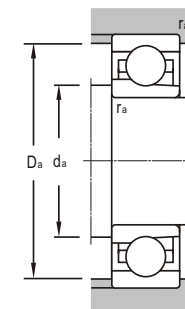
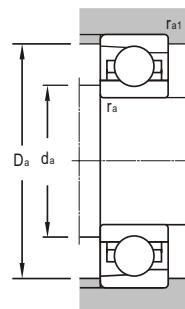
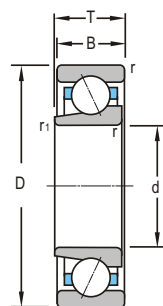
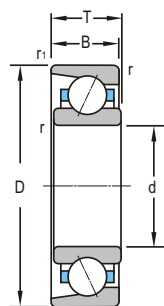


d 85~105mm

Boundary Dimensions							Basic Load Ratings		Limiting Speeds	
d	D	B	T <sub>max</sub>	T <sub>min</sub>	r <sub>min</sub>	r <sub>1min</sub>	Dynamic C	Static C <sub>0</sub>	Grease	Oil
mm							kN		r/min	
<b>85</b>	130	22	22	21.5	1.1	0.6	62.5	61.7	4300	5600
	130	22	22	21.5	1.1	0.6	59.2	59.2	4300	5600
	150	28	28	27.5	2	1	99.7	90	3800	5000
	150	28	28	27.5	2	1	94.9	86	3800	5000
	150	28	28	27.5	2	1	93.1	81	3800	5000
	180	41	41	40.2	3	1.1	172	141	3400	4500
	180	41	41	40.2	3	1.1	165	137	3400	4500
180	41	41	40.2	3	1.1	148	122	3400	4500	
<b>90</b>	140	24	24	23.5	1.5	0.6	71.4	71.7	4000	5300
	140	24	24	23.5	1.5	0.6	67.6	68.6	4000	5300
	160	30	30	29.5	2	1	123	105	3600	4800
	160	30	30	29.5	2	1	117	100	3600	4800
	160	30	30	29.5	2	1	106	93.8	3600	4800
	160	30	30	29.5	2	1	113	96.8	3600	4800
	190	43	43	42.2	3	1.1	185	160	3200	4300
	190	43	43	42.2	3	1.1	178	154	3200	4300
	190	43	43	42.2	3	1.1	158	137	3200	4300
	225	54	54	53.4	4	1.5	233	214	2600	3600
<b>95</b>	145	24	24	23.5	1.5	0.6	73.6	77.1	3800	5000
	145	24	24	23.5	1.5	0.6	69.5	71	3800	5000
	170	32	32	31.5	2.1	1.1	135	120	3400	4500
	170	32	32	31.5	2.1	1.1	128	114	3400	4500
	170	32	32	31.5	2.1	1.1	121	108	3400	4500
	200	45	45	44.2	3	1.1	201	180	3000	4000
	200	45	45	44.2	3	1.1	193	173	3000	4000
	200	45	45	44.2	3	1.1	172	154	3000	4000
<b>97</b>	120	13.5	13.5	13.2	1	0.3	19	22.1	4000	5200
<b>100</b>	150	24	24	23.5	1.5	0.6	79.4	81.3	3800	5000
	150	24	24	23.5	1.5	0.6	75.1	77	3800	5000
	180	34	34	33.5	2.1	1.1	149	136	3200	4300
	180	34	34	33.5	2.1	1.1	142	130	3200	4300
	180	34	34	33.5	2.1	1.1	130	114	3200	4300
	215	47	47	46.2	3	1.1	222	207	2600	3600
	215	47	47	46.2	3	1.1	214	199	2600	3600
	215	47	47	46.2	3	1.1	190	177	2600	3600
<b>105</b>	160	26			2	2	124	156		

Bearing Designations		Mounting Dimensions				Mass
Present	Original	d <sub>a</sub>	D <sub>a</sub>	r <sub>a</sub>	r <sub>a1</sub>	
		mm				kg
<b>7017C</b>	36117	92	123	1	0.6	0.89
<b>7017AC</b>	46117	92	123	1	0.6	0.89
<b>7217C</b>	36217	95	140	2	1	1.8
<b>7217AC</b>	46217	95	140	2	1	1.8
<b>7217B</b>	66217	95	140	2	1	1.95
<b>7317C</b>	36317	99	166	2.5	1	4.38
<b>7317AC</b>	46317	99	166	2.5	1	4.38
<b>7317B</b>	66317	99	166	2.5	1	4.6
<b>7018C</b>	36118	99	131	1.5	0.6	1.15
<b>7018AC</b>	46118	99	131	1.5	0.6	1.15
<b>7218C</b>	36218	100	150	2	1	2.18
<b>7218AC</b>	46218	100	150	2	1	2.19
<b>7218B</b>	66218	100	150	2	1	2.4
<b>7218AC/YB</b>		100	150	2	1	2.71
<b>7318C</b>	36318	104	176	2.5	1	4.87
<b>7318AC</b>	46318	104	176	2.5	1	5.06
<b>7318B</b>	66318	104	176	2.5	1	5.4
<b>7418AC</b>	46418	108	207	3	1.5	12.2
<b>7019C</b>	36119	104	136	1.5	0.6	1.2
<b>7019AC</b>	46119	104	136	1.5	0.6	1.2
<b>7219C</b>	36219	107	158	2.1	1	2.7
<b>7219AC</b>	46219	107	158	2.1	1	2.7
<b>7219B</b>	66219	107	158	2.1	1	2.9
<b>7319C</b>	36319	109	186	2.5	1	5.98
<b>7319AC</b>	46319	109	186	2.5	1	5.98
<b>7319B</b>	66319	109	186	2.5	1	6.25
<b>LY-7040</b>		104	114	1	0.3	0.278
<b>7020C</b>	36120	109	141	1.5	0.6	1.25
<b>7020AC</b>	46120	109	141	1.5	0.6	1.25
<b>7220C</b>	36220	112	168	2.1	1	3.28
<b>7220AC</b>	46220	112	168	2.1	1	3.25
<b>7220B</b>	66220	112	168	2.1	1	3.45
<b>7320C</b>	36320	114	201	2.5	1	7.2
<b>7320AC</b>	46320	114	201	2.5	1	8.47
<b>7320B</b>	66320	114	201	2.5	1	7.75
<b>QJ 1021 MA/P5 YB</b>		115	150	2	2	2.01

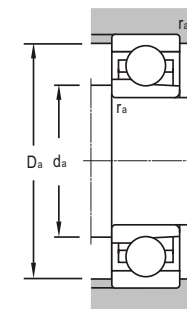
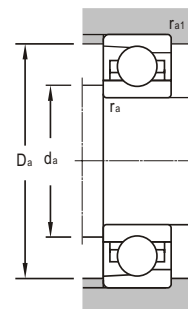
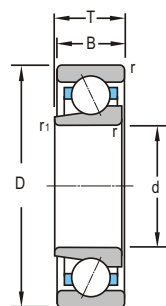
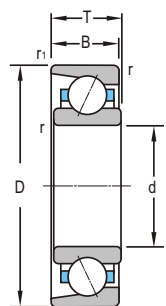




d 110~270mm

Boundary Dimensions							Basic Load Ratings		Limiting Speeds	
d	D	B	T <sub>max</sub>	T <sub>min</sub>	r <sub>min</sub>	r <sub>1min</sub>	Dynamic C	Static C <sub>0</sub>	Grease	Oil
mm							kN		r/min	
110	170	28	28	27.5	2	1	104	104	2800	3800
	200	38	38	37.5	2.1	1.1	176	171	2800	3800
	200	38	38	37.5	2.1	1.1	176	164	2800	3800
	200	38	38	37.5	2.1	1.1	165	161	2800	3800
	240	50	50	49.2	3	1.1	253	252	2200	3200
	240	50	50	49.2	3	1.1	226	225	2200	3200
120	165	22	22	21.5	1.1	0.6	51.2	52.2	2200	3200
	215	40	40	39.5	2.1	1.1	190	179	2400	3400
	215	40	40	39.5	2.1	1.1	181	184	2400	3400
	215	40	40	39.5	2.1	1.1	193	262	2400	3400
	260	55	55	54.2	3	1.1	279	288	2200	3200
	260	55	55	54.2	3	1.1	268	277	2200	3200
130	230	40	40	39.5	2.1	1.1	180	200	2500	3200
140	210	33	33	32.5	2	1	140	150	2600	3300
	300	62	62	61.2	4	1.5	290	334	2000	2500
150	320	65	65	64.2	4	1.5	340	429	2000	2800
159	191	16.5	16.5	16.2	1.1	0.6	42.6	59.8	1800	3000
160	290	48	48	47.2	3	1.1	256	295	1600	2200
	290	48	48	47.2	3	3	391	550	1600	2200
180	320	52	52	51.2	4	1.5	302	399	1500	2000
185	215	15	15	14.5	1.1	0.3	25.8	40.3	2000	3000
190	260	33	33	32.5	2	1.1	139	177	1800	2200
220	400	65	65	64.2	4	1.5	358	605	1100	1600
	300	38	38	37.5	2.1	1.1	143	201	1500	2000
240	500	95	95	94	5	2	515	801	800	1100
260	360	46	46	45.2	2.1	1.1	212	302	1300	1600
	320	28	28	27.5	2	1	104	166	1400	1900
270	330	30	30	29.5	2.1	1.1	90.8	114	1300	1700

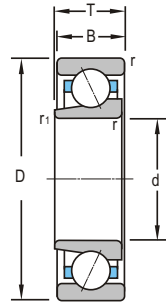
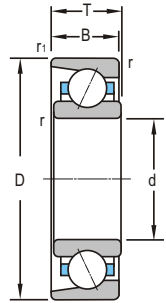
Bearing Designations		Mounting Dimensions				Mass
Present	Original	d <sub>a</sub>	D <sub>a</sub>	r <sub>a</sub>	r <sub>a1</sub>	kg
		mm				kg
7022AC	46122	120	160	2	1	2.46
	36222	122	188	2.1	1	4.55
	46222	122	188	2.1	1	4.55
	66222	122	188	2.1	1	4.8
	46322	124	226	2.5	1	10.7
	66322	124	226	2.5	1	10.7
71924C	1036924	127	158	1	0.6	1.51
	36224	132	203	2.1	1	5.4
	46224	132	203	2.1	1	5.4
	66224	132	203	2.1	1	6.13
	36324	134	246	2.5	1	14.8
	46324	134	246	2.5	1	14.8
7226AC	46226	142	218	2.1	1.1	7.46
7028AC	46128	150	200	2	1	3.77
	66328	158	282	3	1.5	23
7330AC	46330	168	302	3	1.5	27
LY-7041		168	182	1.1	0.6	0.749
7232AC	46128	174	276	2.5	1	14.6
	66328	174	276	2.5	2.5	15
7236AC		198	302	3	1.5	18.9
LY-7049		199	209	1.1	0.3	0.941
71938AC	1046938	180	250	2	1	4.45
7244AC	46244	238	382	3	1.5	38.5
	71944C	232	288	2.1	1	7.35
7348B		262	478	4	2	
71952B	1066952	272	348	2.1	1	14.3
	71852C	270	310	2	1	4.78
7654B	66754	282	318	2.1	1	5.75



d 300~1000mm

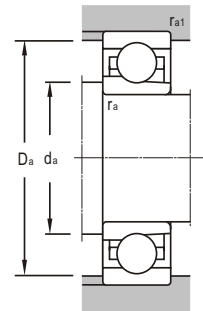
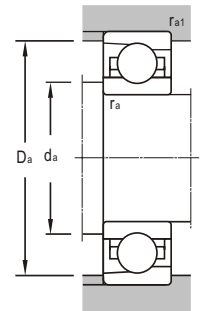
Boundary Dimensions							Basic Load Ratings		Limiting Speeds	
d	D	B	T <sub>max</sub>	T <sub>min</sub>	r <sub>min</sub>	r <sub>1min</sub>	Dynamic C	Static C <sub>0</sub>	Grease	Oil
mm							kN		r/min	
300	540	85	85	84.2	5	3	396	890	800	1000
340	460	56	56	55.2	3	1.1	306	503	800	1000
360	540	82	82	81.6	5	2	488	878	1300	1300
380	440	25	25	24.6	3	1	110	178	960	1200
	520	82	82	81.2	4	1.5	407	733	700	900
	560	82	82		5	5	813	1890	720	950
420	560	65	65	64.2	3	1.1	451	652	600	800
435	485.8	25.4	25.4	25.15	1.5	1.5	46.2	85.2	750	950
460	540	35	35		2.1	1.5	139	272	720	900
	580	56	56		3	2	303	559	670	830
	600	50	50	49	3	1.5	284	522	600	800
	620	74	74	73.2	4	1.5	439	865	550	750
530	710	82	82	81.2	5	2.1	541	1136	500	700
	760	100	100	99	6	3	737	1690	500	700
600	730	60	60	59.5	3	2	425	887	380	500
	730	60	60	59.5	3	1.1	425	887	380	500
622.3	725.487	46	46	44	4.5	2	304	652	400	550
630	850	100	100		6	2.1	855	2100	350	440
670	980	136	136	135	7.5	4	1120	2940	280	400
690	850	74	74		4	1.5	488	1140	370	500
750	920	78			5	2	619	1550	280	400
800	980	82	82		5	3	725	1876	250	300
850	1030	82	82		5	3	562	1473	220	280
	1120	90	90		6	3	854	2380	180	260
1000	1220	50	50		4.5	3	409	1178	120	150

Bearing Designations		Mounting Dimensions				Mass
Present	Original	d <sub>a</sub>	D <sub>a</sub>	r <sub>a</sub>	r <sub>a1</sub>	
		mm				kg
7260B	66260	322	518	4	2.5	72.9
71968B	1066968	354	446	2.5	1	27.5
7072 ACM		380	520	4	1.5	67.1
7676	6776	394	426	2.5	1	7.1
72976AC	2046976	398	502	3	1.5	48.9
QJ1076N2		419	527	4	4	73.1
71984	1046984K	434	546	2.5	1	52.5
LY-Q064		447	470	1	1	5.77
S7692	6792	472	528	2.1		15
S71892AC	1006892	474	566	2.5		36.4
7692AC	46792	474	586	2.5	1.5	37.9
71992B	1066992	478	602	3	1.5	64.1
719/530AC	10469/530	552	688	4	2.1	88.8
LY-7009		558	732	5	2.5	
SN718/600	11068/600	614	716	2.5		60.7
S718/600C		614	716	2.5		60.7
76/662.3RWB1	6169/622	644	702	4		29.58
719/630AC	10469/630	658	822	5	2.1	161
70/670ACM/P5		720	930	6	3	348
LY-7038		724	832	2.5	1.5	88.7
718/750AMB/P6		794	902	4	1.5	113
SN718/800	11068/800	822	958	4		132
SN718/850	11068/850	872	1008	4		146
719/850X2AMB/DT		878	1106	5	2.5	247
SN708/1000X2	1068/1000	1022	1198	4		140

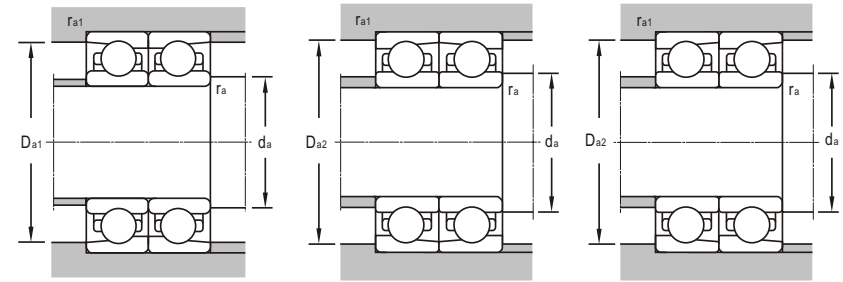
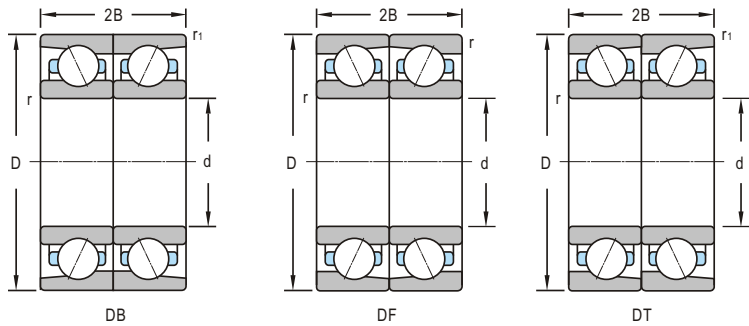


d 1000~1250mm

Boundary Dimensions							Basic Load Ratings		Limiting Speeds	
d	D	B	T <sub>max</sub>	T <sub>min</sub>	r <sub>min</sub>	r <sub>1min</sub>	Dynamic C	Static C <sub>0</sub>	Grease	Oil
mm							kN		r/min	
1000	1220	50	50		4	2.1	409	1178	120	150
1060	1500	195			9.5	9.5	1386	4575	320	340
1180	1420	106	106		6	4	1100	3560	86	107
	1420	106	106		6	2.5	1100	3560	110	140
1250	1750	218			9.5	9.5	1751	6326	70	90



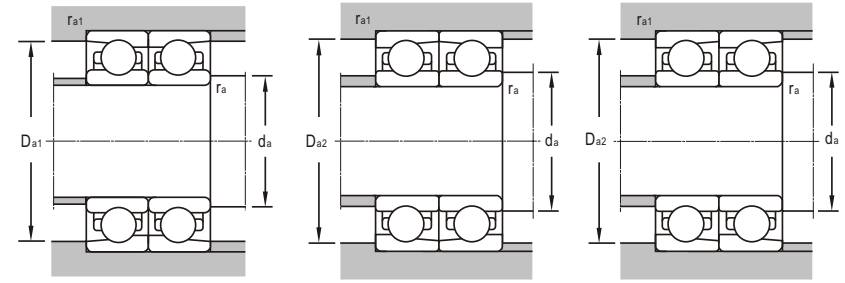
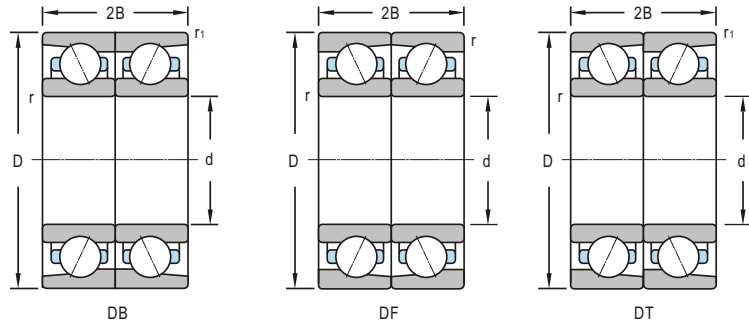
Bearing Designations		Mounting Dimensions				Mass
Present	Original	d <sub>a</sub>	D <sub>a</sub>	r <sub>a</sub>	r <sub>a1</sub>	kg
		mm				
78/1000X2AC	468/1000	1018	1202	3	2.1	155
SN 70/1060MA YA		1099	1461	8	8	1108
SN718/1180	11068/1180	1208	1392	5		332
S718/1180	10068/1180	1208	1392	5		307
70/1250 BMB		1299	1711	8	8	1690



d 10~30mm

Boundary Dimensions					Basic Load Ratings		Limiting Speeds	
d	D	2B	r <sub>min</sub>	r <sub>1min</sub>	Dynamic C	Static C <sub>0</sub>	Grease	Oil
mm					kN		r/min	
10	26	16	0.3	0.15	7.99	4.42	14000	20000
	26	16	0.3	0.15	7.72	4.28	14000	20000
	30	18	0.6	0.15	9.44	5.86	13000	18000
	30	18	0.6	0.15	9.08	5.7	13000	18000
12	28	16	0.3	0.15	8.8	5.28	13000	18000
	28	16	0.3	0.15	8.46	5.06	13000	18000
	32	20	0.6	0.15	11.9	6.86	12000	17000
	32	20	0.6	0.15	11.5	6.66	12000	17000
15	32	18	0.3	0.15	10.1	6.78	12000	17000
	32	18	0.3	0.15	9.7	6.48	12000	17000
	35	22	0.6	0.15	14.1	9.14	11000	15000
	35	22	0.6	0.15	13.6	8.78	11000	15000
17	35	20	0.3	0.15	10.7	7.62	11000	15000
	35	20	0.3	0.15	10.2	7.3	11000	15000
	40	24	0.6	0.3	17.5	12.3	10000	14000
	40	24	0.6	0.3	17.1	11.3	10000	14000
20	42	24	0.6	0.15	17.1	12	9500	13000
	42	24	0.6	0.15	16.2	11.5	9500	13000
	47	28	1	0.3	25.2	17.8	9000	12000
	47	28	1	0.3	24.4	17.1	9000	12000
	47	28	1	0.3	22.9	15.6	9000	12000
	47	28	1	0.6	19	45.2	8500	11000
	47	28	1	0.6	19	45.2	8500	11000
25	47	24	0.6	0.15	21	17.2	9000	12000
	47	24	0.6	0.15	18	14.2	9000	12000
	52	30	1	0.3	24	18.4	8000	11000
	52	30	1	0.3	25.8	19.6	8000	11000
	52	30	1	0.3	25.7	18.7	8000	11000
	62	34	1.1	0.6	48.6	34.4	6700	10000
	62	34	1.1	0.6	46.9	33.4	6700	10000
	62	34	1.1	0.6	42.6	30.2	6700	10000
30	62	48(3B)	1.1	1	36.9	110.7	6700	10000
	55	26	1	0.3	24.5	20.6	6700	10000
	55	26	1	0.3	23.4	19.7	6700	10000
	62	32	1	0.3	37.4	29.4	6300	9500

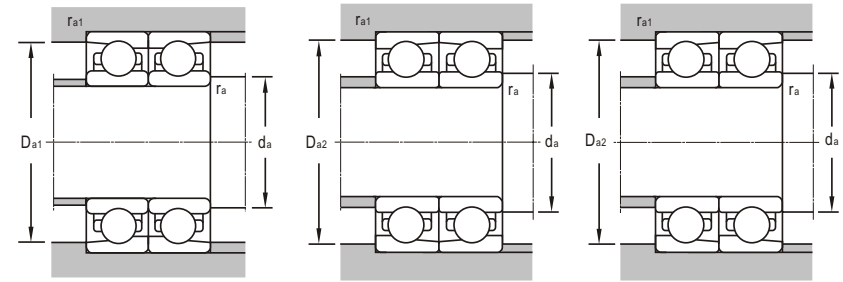
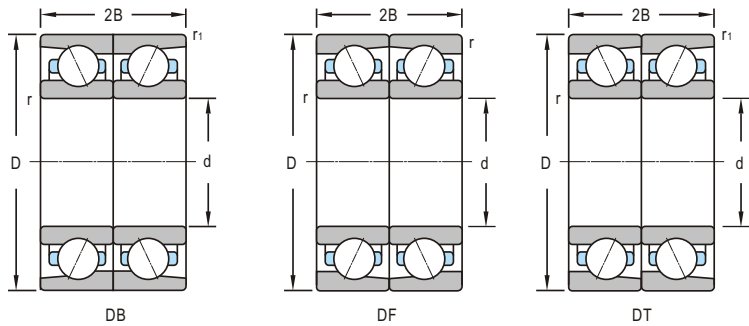
Bearing Designations						Mounting Dimensions					Mass
Present			Original			d <sub>a</sub>	D <sub>a1</sub>	D <sub>a2</sub>	r <sub>a</sub>	r <sub>a1</sub>	kg
tandem	back-to-back	face-to-face	tandem	back-to-back	face-to-face	mm					
7000C/DT	7000C/DB	7000C/DF	436100	236100	336100	12.4	23.6	24.8	0.3	0.15	0.036
7000AC/DT	7000AC/DB	7000AC/DF	446100	246100	346100	12.4	23.6	24.8	0.3	0.15	0.036
7200C/DT	7200C/DB	7200C/DF	436200	236200	336200	15	25	28.8	0.6	0.15	0.06
7200AC/DT	7200AC/DB	7200AC/DF	446200	246200	346200	15	25	28.8	0.6	0.15	0.06
7001C/DT	7001C/DB	7001C/DF	436101	236101	336101	14.4	25.6	26.8	0.3	0.15	0.04
7001AC/DT	7001AC/DB	7001AC/DF	446101	246101	346101	14.4	25.6	26.8	0.3	0.15	0.04
7201C/DT	7201C/DB	7201C/DF	436201	236201	336201	17	27	30.8	0.6	0.15	0.07
7201AC/DT	7201AC/DB	7201AC/DF	446201	246201	346201	17	27	30.8	0.6	0.15	0.07
7002C/DT	7002C/DB	7002C/DF	436102	236102	336102	17.4	27	30.8	0.3	0.15	0.056
7002AC/DT	7002AC/DB	7002AC/DF	446102	246102	346102	17.4	27	30.8	0.3	0.15	0.056
7202C/DT	7202C/DB	7202C/DF	436202	236202	336202	20	30	33.8	0.6	0.15	0.086
7202AC/DT	7202AC/DB	7202AC/DF	446202	246202	346202	20	30	33.8	0.6	0.15	0.086
7003C/DT	7003C/DB	7003C/DF	436103	236103	336103	19.4	32.6	33.8	0.3	0.15	0.072
7003AC/DT	7003AC/DB	7003AC/DF	446103	246103	346103	19.4	32.6	33.8	0.3	0.15	0.072
7203C/DT	7203C/DB	7203C/DF	436203	236203	336203	22	35	37.6	0.6	0.3	0.127
7203AC/DT	7203AC/DB	7203AC/DF	446203	246203	346203	22	35	37.6	0.6	0.3	0.127
7004C/DT	7004C/DB	7004C/DF	436104	236104	336104	25	37	40.8	0.6	0.15	0.128
7004AC/DT	7004AC/DB	7004AC/DF	446104	246104	346104	25	37	40.8	0.6	0.15	0.128
7204C/DT	7204C/DB	7204C/DF	436204	236204	336204	26	41	44.6	1	0.3	0.2
7204AC/DT	7204AC/DB	7204AC/DF	446204	246204	346204	26	41	44.6	1	0.3	0.2
7204B/DT	7204B/DB	7204B/DF	466204	266204	366204	26	41	44.6	1	0.3	0.22
		760204 TN1/P4 DFB				26	42	44	1	0.6	0.246
		760204 TN1/P4 DBB				26	42	44	1	0.6	0.246
7005C/DT	7005C/DB	7005C/DF	436105	236105	336105	30	42	45.8	0.6	0.15	0.148
7005AC/DT	7005AC/DB	7005AC/DF	446105	246105	346105	30	42	45.8	0.6	0.15	0.148
7205C/DT	7205C/DB	7205C/DF	436205	236205	336205	31	46	49.6	1	0.3	0.244
7205AC/DT	7205AC/DB	7205AC/DF	446205	246205	346205	31	46	49.6	1	0.3	0.244
7205B/DT	7205B/DB	7205B/DF	466205	266205	366205	31	46	49.6	1	0.3	0.26
7305C/DT	7305C/DB	7305C/DF	436305	236305	336305	32	55	57	1	0.6	0.46
7305AC/DT	7305AC/DB	7305AC/DF	446305	246305	346305	32	55	57	1	0.6	0.46
7305B/DT	7305B/DB	7305B/DF	466305	266305	366305	32	55	57	1	0.6	0.5
7006C/DT	7006C/DB	7006C/DF	436106	236106	336106	38	54	56	1	0.6	0.675
7006AC/DT	7006AC/DB	7006AC/DF	446106	246106	346106	36	49	52.6	1	0.3	0.22
7206C/DT	7206C/DB	7206C/DF	436206	236206	336206	36	49	52.6	1	0.3	0.22
B7206C/DT	7206C/DB	7206C/DF	436206	236206	336206	36	56	59.6	1	0.3	0.396



d 30~50mm

Boundary Dimensions					Basic Load Ratings		Limiting Speeds	
d	D	2B	r <sub>min</sub>	r <sub>1min</sub>	Dynamic C	Static C <sub>0</sub>	Grease	Oil
mm					kN		r/min	
30	62	32	1	0.3	37.4	29.4	6300	9500
	62	32	1	0.3	35.9	28.2	6300	9000
	62	32	1	0.3	33.6	25	6300	9000
	72	38	1.1	0.6	58.3	44.6	6000	8500
	72	38	1.1	0.6	56.2	42.8	6000	8500
	72	38	1.1	0.6	50.5	38.6	6000	8500
35	62	28	1	0.3	26.5	24.2	6000	8500
	62	28	1	0.3	25.2	23	6000	8500
	72	34	1.1	0.6	52.1	43.4	5600	7500
	72	34	1.1	0.6	49.9	41.4	5600	7500
	72	34	1.1	0.6	44	38	5600	7500
	100	50	1.5	1.1	86	69	3200	4800
40	68	30	1	0.3	32.7	30.4	5600	7500
	68	30	1	0.3	30.9	28.8	5600	7500
	80	36	1.1	0.6	59.9	51.2	5300	7000
	80	36	1.1	0.6	57.2	48.8	5300	7000
	80	36	1.1	0.6	53	46.8	5300	7000
	90	46	1.5	0.6	87.4	70	4500	6300
	90	46	1.5	0.6	84.1	67.6	4500	6300
	90	46	1.5	0.6	75.4	60.6	4500	6300
	100	50	1.5	0.6	96.9	79.4	4000	5600
	45	58	14	1	0.3	9.54	11.4	6000
75		32	1	0.3	42.1	40.8	5300	7000
75		32	1	0.3	39.8	38.6	5300	7000
75		32	1	0.3	42.1	40.8	5000	7000
85		38	1.1	0.6	62.7	56.6	4500	6300
85		38	1.1	0.6	59.9	54.2	4500	6300
85		38	1.1	0.6	58.5	52.6	4500	6300
100		50	1.5	0.6	109	91.6	4000	5600
100		50	1.5	0.6	108	88	4000	5600
100		50	1.5	0.6	97	79.4	4000	5600
50	80	32	1	0.3	43.2	43.8	4500	6300
	80	32	1	0.3	40.9	42.8	4500	6300
	80	32	1	0.3	43.2	43.8	4500	6500
	90	40	1.1	0.6	69.5	63.4	4300	6000
	90	40	1.1	0.6	66.3	60.6	4300	6000
	90	40	1.1	0.6	46.7	45.6	4300	6000

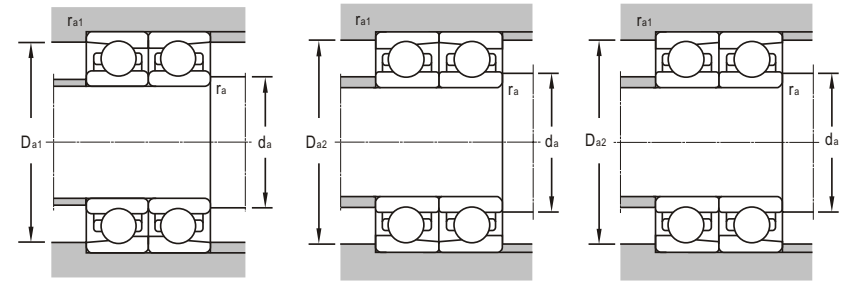
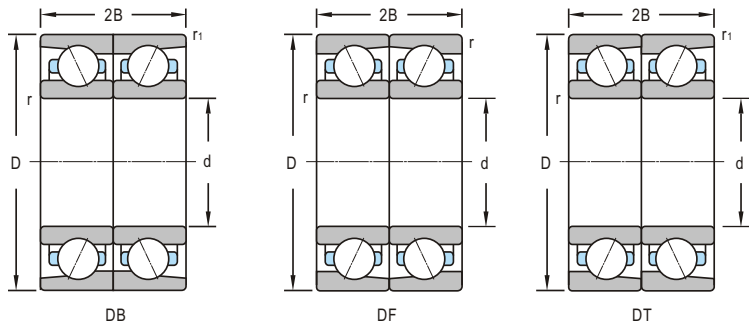
Bearing Designations						Mounting Dimensions					Mass
Present			Original			d <sub>a</sub>	D <sub>a1</sub>	D <sub>a2</sub>	r <sub>a</sub>	r <sub>a1</sub>	kg
tandem	back-to-back	face-to-face	tandem	back-to-back	face-to-face	mm					
7206AC/DT			7206AC/DB	7206AC/DF	736206	36	56	59.6	1	0.3	0.234
7206B/DT	7206AC/DB				446206	36	56	59.6	1	0.3	0.396
760206 T1/P4 T8TB	7206B/DB	7206B/DF			466206	36	56	59.6	1	0.3	0.42
7306C/DT	7306C/DB	7306C/DF			436306	37	65	67	1	0.6	0.7
7306AC/DT	7306AC/DB	7306AC/DF			446306	37	65	67	1	0.6	0.7
7306B/DT	7306B/DB	7306B/DF			466306	37	65	67	1	0.6	0.74
7007C/DT	7007C/DB	7007C/DF			436107	41	56	59.6	1	0.3	0.3
7007AC/DT	7007AC/DB	7007AC/DF			446107	41	56	59.6	1	0.3	0.3
7207C/DT	7207C/DB	7207C/DF			436207	42	65	67	1	0.6	0.61
7207AC/DT	7207AC/DB	7207AC/DF			446207	42	65	67	1	0.6	0.61
7207B/DT	7207B/DB	7207B/DF			466207	42	65	67	1	0.6	0.6
7407AC/DB					266207	44	91	93	1.5	1	1.87
7008C/DT	7008C/DB	7008C/DF			436108	46	62	65.6	1	0.3	0.36
7008AC/DT	7008AC/DB	7008AC/DF			446108	46	62	65.6	1	0.3	0.36
7208C/DT	7208C/DB	7208C/DF			436208	47	73	75	1	0.6	0.737
7208AC/DT	7208AC/DB	7208AC/DF			446208	47	73	75	1	0.6	0.74
7208B/DT	7208B/DB	7208B/DF			466208	47	73	75	1	0.6	0.78
7308C/DT	7308C/DB	7308C/DF			436308	49	81	85	1.5	0.6	1.69
7308AC/DT	7308AC/DB	7308AC/DF			446308	49	81	85	1.5	0.6	1.32
7308B/DT	7308B/DB	7308B/DF			466308	49	81	85	1.5	0.6	1.34
7309B/DF/A2					266308	49	91	95	1.5	0.6	2.07
71803CM/P4DT						48	55.6	52	0.25	0.1	0.097
7009C/DT	7009C/DB	7009C/DF			436109	51	69	72.6	1	0.3	0.46
7009AC/DT	7009AC/DB	7009AC/DF			446109	51	69	72.6	1	0.3	0.46
B7009C/DT					736109	51	69	72.6	1	0.3	0.484
7209C/DT	7209C/DB	7209C/DF			436209	52	78	80	1	0.6	0.814
7209AC/DT	7209AC/DB	7209AC/DF			446209	52	78	80	1	0.6	0.82
7209B/DT	7209B/DB	7209B/DF			466209	52	78	80	1	0.6	0.88
7309C/DT	7309C/DB	7309C/DF			436309	54	91	95	1.5	0.6	1.72
7309AC/DT	7309AC/DB	7309AC/DF			446309	54	91	95	1.5	0.6	1.72
7309B/DT	7309B/DB	7309B/DF			466309	54	91	95	1.5	0.6	1.8
7010C/DT	7010C/DB	7010C/DF			436110	56	74	77.6	1	0.3	0.5
7010AC/DT	7010AC/DB	7010AC/DF			446110	56	74	77.6	1	0.3	0.5
B7010C/DT					736110	56	74	77.6	1	0.3	0.52
7210C/DT	7210C/DB	7210C/DF			436210	57	83	85	1	0.6	0.92
					246210K	57	83	85	1	0.6	0.964
					266210EK	57	83	85	1	0.6	0.997



d 50~70mm

Boundary Dimensions					Basic Load Ratings		Limiting Speeds	
d	D	2B	r <sub>min</sub>	r <sub>1min</sub>	Dynamic C	Static C <sub>0</sub>	Grease	Oil
mm					kN		r/min	
50	90	40	1.1	0.6	66.3	60.6	4300	6000
	90	40	1.1	0.6	60.8	57.2	4300	6000
	90	40	1.1	0.6	69.5	63.4	4300	6000
	110	54	2	1	129	112	3800	5300
	110	54	2	1	124	108	3800	5300
55	90	36	1.1	0.6	60.4	57.2	4000	5600
	90	36	1.1	0.6	57.2	54.4	4000	5600
	90	36	1.1	0.6	57.2	54.4	4000	5600
	100	42	1.5	0.6	86.1	80.8	3800	5300
	100	42	1.5	0.6	82	76.4	3800	5300
	100	42	1.5	0.6	75.2	72.2	3800	5300
	120	58	2	1	149	131	3400	4800
60	95	36	1.1	0.6	62.1	65.2	3800	5300
	95	36	1.1	0.6	58.8	63.2	3800	5300
	110	44	1.5	0.6	91.1	96.6	3600	5000
	110	44	1.5	0.6	94.5	92	3600	5000
	110	44	1.5	0.6	99.1	88.8	3600	5000
65	100	36	1.1	0.6	65.1	70.8	3600	5000
	100	36	1.1	0.6	61.7	68.2	3600	5000
	120	46	1.5	0.6	114	110	3400	4500
	120	46	1.5	0.6	108	117	3400	4500
	120	46	1.5	0.6	108	117	3400	4500
	120	46	1.5	0.6	76.2	78.6	3400	4500
	120	46	1.5	0.6	103	92	3400	4500
	140	58.7	2.1	2.1	145	115	3200	4300
	140	66	2.1	1.1	197	178	3000	4000
	140	66	2.1	1.1	188	171	3000	4000
70	110	40	1.1	0.6	78.5	86	3400	4800
	110	40	1.1	0.6	74.2	85	3400	4800
	110	40	1.1	1	74.2	85.4	3500	5500

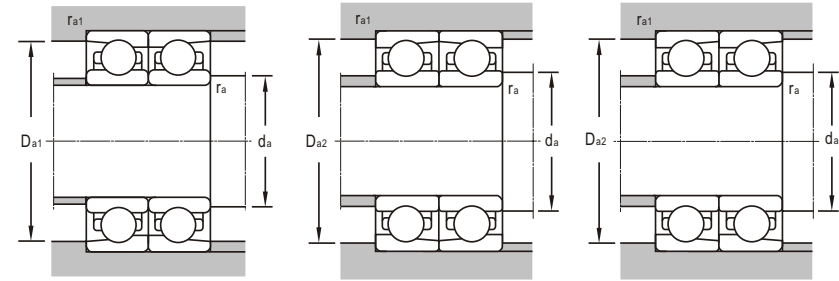
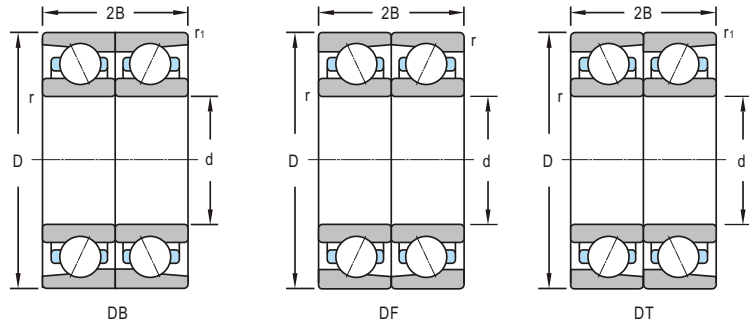
Bearing Designations						Mounting Dimensions					Mass
Present			Original			d <sub>a</sub>	D <sub>s1</sub>	D <sub>s2</sub>	r <sub>a</sub>	r <sub>a1</sub>	kg
tandem	back-to-back	face-to-face	tandem	back-to-back	face-to-face	mm					
7210AC/DT	7210AC/DB	7210AC/DF	446210	246210	346210	57	83	85	1	0.6	0.92
7210B/DT	7210B/DB	7210B/DF	466210	266210	366210	57	83	85	1	0.6	0.98
	7210C/DB/YA			3-642		57	83	85	1	0.6	1.95
7310C/DT	7310C/DB	7310C/DF	436310	236310	336310	60	100	104	2	1	2.16
7310AC/DT	7310AC/DB	7310AC/DF	446310	246310	346310	60	100	104	2	1	2.64
7310B/DT	7310B/DB	7310B/DF	466310	266310	366310	60	100	104	2	1	2.3
7011C/DT	7011C/DB	7011C/DF	436111	236111	336111	62	83	85	1	0.6	0.76
7011AC/DT	7011AC/DB	7011AC/DF	446111	246111	346111	62	83	85	1	0.6	0.76
	7011ACN2L1/DB			246111K		62	83	85	1	0.6	0.788
7211C/DT	7211C/DB	7211C/DF	436211	236211	336211	64	91	95	1.5	0.6	1.22
7211AC/DT	7211AC/DB	7211AC/DF	446211	246211	346211	64	91	95	1.5	0.6	1.22
7211B/DT	7211B/DB	7211B/DF	466211	266211	366211	64	91	95	1.5	0.6	1.3
7311C/DT	7311C/DB	7311C/DF	436311	236311	336311	65	110	114	2	1	3.42
7311AC/DT	7311AC/DB	7311AC/DF	446311	246311	346311	65	110	114	2	1	2.84
7311B/DT	7311B/DB	7311B/DF	466311	266311	366311	65	110	114	2	1	2.9
7012C/DT	7012C/DB	7012C/DF	436112	236112	336112	67	88	90	1	0.6	0.8
7012AC/DT	7012AC/DB	7012AC/DF	446112	246112	346112	67	88	90	1	0.6	0.8
7212C/DT	7212C/DB	7212C/DF	436212	236212	336212	69	101	105	1.5	0.6	1.6
7212AC/DT	7212AC/DB	7212AC/DF	446212	246212	346212	69	101	105	1.5	0.6	1.6
7212B/DT	7212B/DB	7212B/DF	466212	266212	366212	69	101	105	1.5	0.6	1.68
7312C/DT	7312C/DB	7312C/DF	436312	236312	336312	72	118	123	2.1	1	3.4
7312AC/DT	7312AC/DB	7312AC/DF	446312	246312	346312	72	118	123	2.1	1	4.12
7312B/DT	7312B/DB	7312B/DF	466312	266312	366312	72	118	123	2.1	1	3.7
7013C/DT	7013C/DB	7013C/DF	436113	236113	336113	72	93	95	1	0.6	0.86
7013AC/DT	7013AC/DB	7013AC/DF	446113	246113	346113	72	93	95	1	0.6	0.86
7213C/DT	7213C/DB	7213C/DF	436213	236213	336213	74	111	115	1.5	0.6	2
7213AC/DT	7213AC/DB	7213AC/DF	446213	246213	346213	74	111	115	1.5	0.6	2
	7213ACN2/DB			246213K		74	111	115	1.5	0.6	2.03
	7213EBN2/DB			D266213EK		74	111	115	1.5	0.6	2.17
7213B/DT	7213B/DB	7213B/DF	466213	266213	366213	74	111	115	1.5	0.6	2.1
3313 YA/P6						77	128	133	2.1	2.1	3.8
7313C/DT	7313C/DB	7313C/DF	436313	236313	336313	77	128	133	2.1	1	4.46
7313AC/DT	7313AC/DB	7313AC/DF	446313	246313	346313	77	128	133	2.1	1	4.46
7313B/DT	7313B/DB	7313B/DF	466313	266313	366313	77	128	133	2.1	1	4.5
7014C/DT	7014C/DB	7014C/DF	436114	226114	336114	77	103	105	1	0.6	1.2
7014AC/DT	7014AC/DB	7014AC/DF	446114	246114	346114	77	103	105	1	0.6	1.2
B7014AC/DT			746114			77	103	104	1	1	1.18



d 70~90mm

d	Boundary Dimensions				Basic Load Ratings		Limiting Speeds		
	D	2B	r <sub>min</sub>	r <sub>1min</sub>	Dynamic C	Static C <sub>0</sub>	Grease	Oil	
mm				kN		r/min			
70	125	48	1.5	0.6	118	120	3200	4300	
	125	48	1.5	0.6	123	123	3200	4300	
	125	48	1.5	0.6	100	102	3200	4300	
	150	70	2.1	1.1	218	200	2800	3600	
	150	70	2.1	1.1	210	193	2800	3600	
	150	70	2.1	1.1	185	173	2800	3600	
75	115	40	1.1	0.6	80.5	96	3400	4500	
	115	40	1.1	0.6	76	91	3400	4500	
	115	40	1.1	0.6	80.5	92.1	3400	4500	
	130	50	1.5	0.6	129	131	3000	4000	
	130	50	1.5	0.6	122	126	3000	4000	
	130	50	1.5	0.6	118	123	3000	4000	
	160	74	2.1	1.1	236	226	2600	3400	
	160	74	2.1	1.1	226	218	2600	3400	
	160	74	2.1	1.1	201	194	2600	3400	
	80	125	44	1.1	0.6	94.4	114	3200	4300
125		44	1.1	0.6	90	110	3200	4300	
125		44	1.1	0.6	90	110	3200	4300	
140		52	2	1	145	154	2800	3600	
140		52	2	1	138	158	2800	3600	
140		52	2	1	138	158	2800	3600	
140		52	2	1	100	109	2800	3600	
140		52	2	1	131	138	2800	3600	
170		78	2.1	1.1	257	256	2400	3400	
170		78	2.1	1.1	247	244	2400	3400	
170		78	2.1	1.1	219	218	2400	3400	
85		130	44	1.1	0.6	102	123	3000	4000
	130	44	1.1	0.6	96.2	118	3000	4000	
	150	56	2	1	162	170	2600	3400	
	150	56	2	1	154	162	2600	3400	
	150	56	2	1	151	162	2600	3400	
	180	82	3	1.1	279	282	2400	3200	
	180	82	3	1.1	268	273	2400	3200	
	180	82	3	1.1	240	244	2400	3200	
	90	140	48	1.5	0.6	116	143	2800	3600
		140	48	1.5	0.6	110	137	2800	3600
160		60	2	1	200	210	2400	3400	

Bearing Designations						Mounting Dimensions					Mass
Present			Original			d <sub>a</sub>	D <sub>a1</sub>	D <sub>a2</sub>	r <sub>a</sub>	r <sub>a1</sub>	
tandem	back-to-back	face-to-face	tandem	back-to-back	face-to-face	mm					kg
7214C/DT	7214C/DB	7214C/DF	436214	236214	336214	79	114	120	1.5	0.6	2.2
7214AC/DT	7214AC/DB	7214AC/DF	446214	246214	346214	79	114	120	1.5	0.6	2.2
7214B/DT	7214B/DB	7214B/DF	466214	266214	366214	79	114	120	1.5	0.6	2.3
7314C/DT	7314C/DB	7314C/DF	436314	236314	336314	79	141	143	1.5	1	5.34
7314AC/DT	7314AC/DB	7314AC/DF	446314	246314	346314	79	141	143	1.5	1	6.12
7314B/DT	7314B/DB	7314B/DF	466314	266314	366314	79	141	143	1.5	1	5.5
7015C/DT	7015C/DB	7015C/DF	436115	236115	336115	82	108	110	1	0.6	1.26
7015EA/DT	7015EA/DB	7015EA/DF	446115E	246115E	346115E	82	108	110	1	0.6	1.26
7215C/DT	7215C/DB	7215C/DF	436215	236215	336215	84	121	125	1.5	0.6	2.4
7215AC/DT	7215AC/DB	7215AC/DF	446215	246215	346215	84	121	125	1.5	0.6	2.4
7215B/DT	7215B/DB	7215B/DF	466215	266215	366215	84	121	125	1.5	0.6	2.6
7315C/DT	7315C/DB	7315C/DF	436315	236315	336315	87	148	153	2.1	1	7.12
7315AC/DT	7315AC/DB	7315AC/DF	446315	246315	346315	87	148	153	2.1	1	7.12
7315B/DT	7315B/DB	7315B/DF	466315	266315	366315	87	148	153	2.1	1	6.6
7016C/DT	7016C/DB	7016C/DF	436116	236116	336116	87	118	120	1	0.6	1.7
7016AC/DT	7016AC/DB	7016AC/DF	446116	246116	346116	87	118	120	1	0.6	1.7
		7016ACTB/P4DBB				87	118	120	1	0.6	1.7
7216C/DT	7216C/DB	7216C/DF	436216	236216	336216	90	130	134	2	1	2.9
7216AC/DT	7216AC/DB	7216AC/DF	446216	246216	346216	90	130	134	2	1	2.9
		7216ACN2/DB				90	130	134	2	1	2.99
		7216EACN2/DB				90	130	134	2	1	3.16
7216B/DT	7216B/DB	7216B/DF	466216	266215	366216	90	130	134	2	1	3.1
7316C/DT	7316C/DB	7316C/DF	436316	236316	336316	92	158	163	2.1	1	7.18
7316AC/DT	7316AC/DB	7316AC/DF	446316	246316	346316	92	158	163	2.1	1	7.18
7316B/DT	7316B/DB	7316B/DF	466316	266316	366316	92	158	163	2.1	1	7.8
7017C/DT	7017C/DB	7017C/DF	436117	236117	336117	92	123	126	1	0.6	1.78
7017AC/DT	7017AC/DB	7017AC/DF	446117	246117	346117	92	123	126	1	0.6	1.78
7217C/DT	7217C/DB	7217C/DF	436217	236217	336217	95	140	144	2	1	3.6
7217AC/DT	7217AC/DB	7217AC/DF	446217	246217	346217	95	140	144	2	1	3.6
7217B/DT	7217B/DB	7217B/DF	466217	266217	366217	95	140	144	2	1	3.9
7317C/DT	7317C/DB	7317C/DF	436317	236317	336317	99	166	173	2.5	1	8.76
7317AC/DT	7317AC/DB	7317AC/DF	446317	246317	346317	99	166	173	2.5	1	8.76
7317B/DT	7317B/DB	7317B/DF	466317	266317	366317	99	166	173	2.5	1	9.2
7018C/DT	7018C/DB	7018C/DF	436118	236118	336118	99	131	135	1.5	0.6	2.3
7018AC/DT	7018AC/DB	7018AC/DF	446118	246118	346118	99	131	135	1.5	0.6	1.62
7218EC/DT	7218EC/DB	7218EC/DF	436218E	236218E	336218E	100	150	154	2	1	4.5

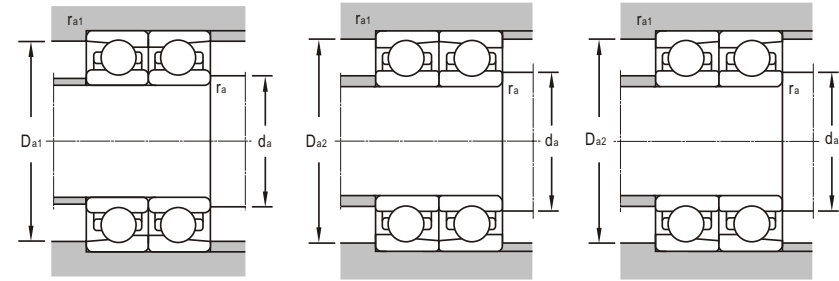
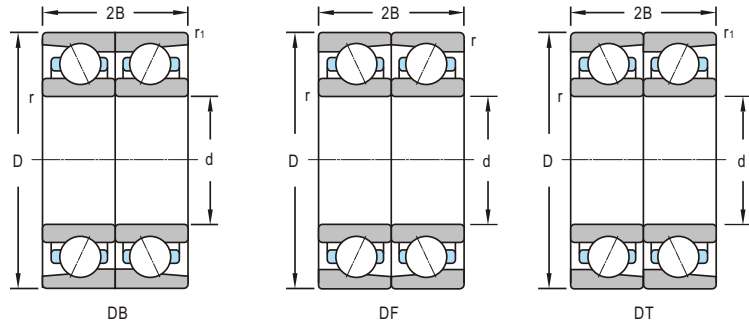


d 90~110mm

d	Boundary Dimensions				Basic Load Ratings		Limiting Speeds	
	D	2B	r <sub>min</sub>	r <sub>1min</sub>	Dynamic C	Static C <sub>0</sub>	Grease	Oil
mm				kN		r/min		
90	160	60	2	1	190	200	2400	3400
	160	60	2	1	172	188	2400	3400
	190	86	3	1.1	301	320	2200	3000
	190	86	3	1.1	289	308	2200	3000
	190	86	3	1.1	257	274	2200	3000
	190	86	3	1.1	197	232	2200	3000
95	145	48	1.5	0.6	120	154	2600	3400
	145	48	1.5	0.6	113	142	2600	3400
	170	64	2.1	1.1	219	226	2400	3200
	170	64	2.1	1.1	208	229	2400	3200
	170	64	2.1	1.1	197	202	2400	3200
	200	90	3	1.1	327	360	2000	2800
200	90	3	1.1	314	346	2000	2800	
95	200	90	3	1.1	279	308	2000	2800
	200	90	3	1.1	279	308	2000	2800
100	150	48	1.5	0.6	129	163	2600	3400
	150	48	1.5	0.6	122	150	2600	3400
	180	68	2.1	1.1	242	254	2200	3000
	180	68	2.1	1.1	231	260	2200	3000
	180	68	2.1	1.1	211	228	2200	3000
	215	94	3	1.1	361	414	1800	2400
	215	94	3	1.1	348	398	1800	2400
	215	94	3	1.1	309	354	1800	2400
	150	72	1.5	0.6	138	199		
	105	160	52	2	1	144	183	2600
160		52	2	1	136	174	2600	3400
190		72	2.1	1.1	263	286	2000	2800
190		72	2.1	1.1	252	274	2000	2800
190		72	2.1	1.1	232	258	2000	2800
110	170	56	2	1	174	216	2400	3400
	170	56	2	1	169	208	2400	3400
	170	84	2	1	224	312	2200	3200
	170	84	2	1	224	312	2200	3200
	200	76	2.1	1.1	286	342	1900	2600
	200	76	2.1	1.1	273	306	1900	2600
	200	76	2.1	1.1	250	288	1900	2600
	240	100	3	1.1	411	504	1500	2200

Present	Bearing Designations		Original			Mounting Dimensions					Mass	
	tandem	back-to-back	face-to-face	tandem	back-to-back	face-to-face	d <sub>a</sub>	D <sub>s1</sub>	D <sub>s2</sub>	r <sub>a</sub>		r <sub>a1</sub>
							mm					kg
		7218ACM/DF					100	150	154	2	1	5.32
7218B/DT	7218B/DB	7218B/DF	466218	266218	366218		100	150	154	2	1	4.8
7318C/DT	7318C/DB	7318C/DF	436318	236318	336318		104	176	183	2.5	1	9.76
7318AC/DT	7318AC/DB	7318AC/DF	446318	246318	346318		104	176	183	2.5	1	10.12
7318B/DT	7318B/DB	7318B/DF	466318	266318	366318		104	176	183	2.5	1	10.8
		7318EBN2DB			266318EK		104	176	183	2.5	1	11.3
7019C/DT	7019C/DB	7019C/DF	436119	236119	336119		104	136	140	1.5	0.6	2.4
7019AC/DT	7019AC/DB	7019AC/DF	446119	246119	346119		104	136	140	1.5	0.6	2.4
7219C/DT	7219C/DB	7219C/DF	436219	236219	336219		107	158	163	2.1	1	5.4
7219AC/DT	7219AC/DB	7219AC/DF	446219	246219	346219		107	158	163	2.1	1	5.4
7219B/DT	7219B/DB	7219B/DF	466219	266219	366219		107	158	163	2.1	1	5.8
7319C/DT	7319C/DB	7319C/DF	436319	236319	336319		109	186	193	2.5	1	12
7319AC/DT	7319AC/DB	7319AC/DF	446319	246319	346319		109	186	193	2.5	1	12
7319B/DT	7319B/DB	7319B/DF	466319	266319	366319		109	186	193	2.5	1	12.5
7020C/DT	7020C/DB	7020C/DF	436120	236120	336120		109	141	145	1.5	0.6	2.5
7020AC/DT	7020AC/DB	7020AC/DF	446120	246120	346120		109	141	145	1.5	0.6	2.5
7220C/DT	7220C/DB	7220C/DF	436220	236220	336220		112	168	173	2.1	1	6.5
7220AC/DT	7220AC/DB	7220AC/DF	446220	246220	346220		112	168	173	2.1	1	6.5
7220B/DT	7220B/DB	7220B/DF	466220	266220	366220		112	168	173	2.1	1	6.9
7320C/DT	7320C/DB	7320C/DF	436320	236320	336320		114	201	208	2.5	1	14.4
7320AC/DT	7320AC/DB	7320AC/DF	446320	246320	346320		114	201	208	2.5	1	16.9
7320B/DT	7320B/DB	7320B/DF	466320	266320	366320		114	201	208	2.5	1	15.5
7020AC/TBT							109	141	145	1.5	0.6	
7021C/DT	7021C/DB	7021C/DF	436121	236121	336121		115	150	154	2	1	3.2
7021AC/DT	7021AC/DB	7021AC/DF	446121	246121	346121		115	150	154	2	1	3.2
7221C/DT	7221C/DB	7221C/DF	436221	236221	336221		117	178	173	2.1	1	7.7
7221AC/DT	7221AC/DB	7221AC/DF	446221	246221	346221		117	178	173	2.1	1	7.7
7221B/DT	7221B/DB	7221B/DF	466221	266221	366221		117	178	173	2.1	1	8.2
7022C/DT	7022C/DB	7022C/DF	436122	236122	336122		120	160	164	2	1	4.92
7022AC/DT	7022AC/DB	7022AC/DF	446122	246122	346122		120	160	164	2	1	4.92
					946122Y		120	160	164	2	1	7.38
					B7022AC/TBT		120	160	164	2	1	7.38
7222C/DT	7222C/DB	7222C/DF	436222	236222	336222		122	188	193	2.1	1	9.1
7222AC/DT	7222AC/DB	7222AC/DF	446222	246222	346222		122	188	193	2.1	1	9.1
7222B/DT	7222B/DB	7222B/DF	466222	266222	366222		122	188	193	2.1	1	9.6
7322AC/DT	7322AC/DB	7322AC/DF	446322	246322	346322		124	226	233	2.5	1	19.6

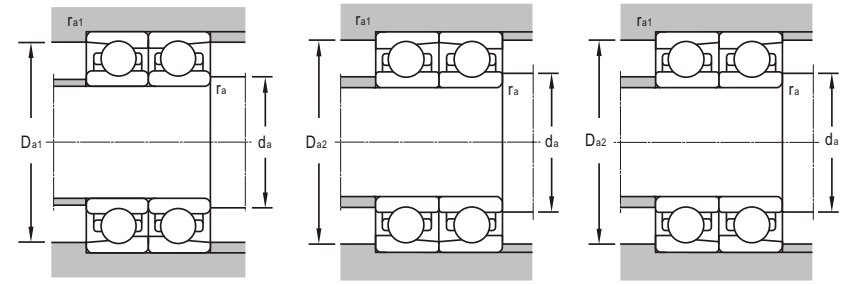
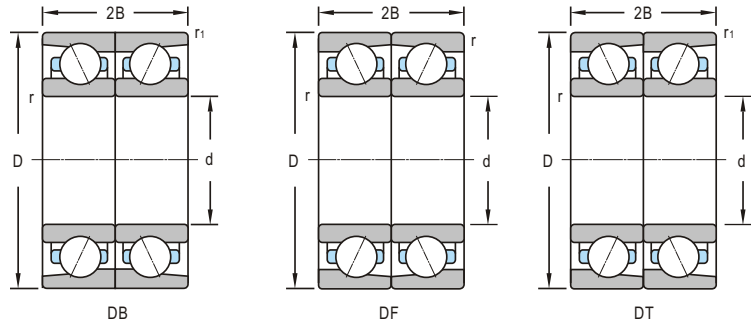




d 110~460mm

Boundary Dimensions					Basic Load Ratings		Limiting Speeds	
<i>d</i>	<i>D</i>	<i>2B</i>	<i>r<sub>min</sub></i>	<i>r<sub>1min</sub></i>	Dynamic <i>C</i>	Static <i>C<sub>0</sub></i>	Grease	Oil
mm					kN		r/min	
110	240	100	3	1.1	367	450	1500	2200
	240	100	3	1.1	411	504	1100	2200
120	215	80	2.1	1.1	309	358	1700	2400
	215	80	2.1	1.1	294	367	1700	2400
	215	80	2.1	1.1	268	322	1700	2400
	215	160	4	2.5	435.5	644	1700	2400
130	200	63	2	1	117	167	1100	2200
	230	80	3	1.1	292	364	1500	2200
140	250	84	2.1	1.1	281	389	1800	2300
150	230	70	2.1	2.1	229	322	1810	2200
160	290	96	3	1.1	416	590	800	1800
	340	136	4	1.5	601	892	700	1600
180	280	100	2.1	1.1	280	420	1500	1900
190	260	66	4	2.5	226	354	1500	1900
203.23	276.25	73	2	1	237	362	1300	1500
220	400	130	4	1.5	582	1014	750	1100
240	360	118	3	3	404	712	900	1250
260	369.5	118	3	3	362	643	1000	1300
	400	140	4	1.5	489	900	750	980
280	389.5	92	2.1	2.1	397	732	750	110
300	419.5	112	4	1.5	442	847	660	950
340	400	115	2.1	1.1	157	344	640	960
420	560	130	3	1.5	733	1304	540	680
460	580	56	3	3	596	1396	670	830

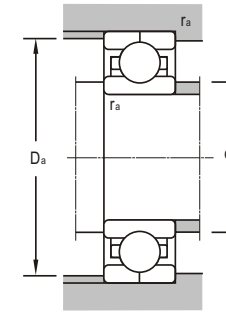
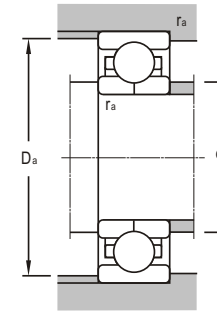
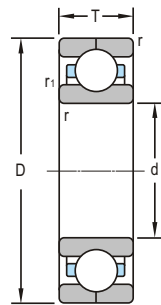
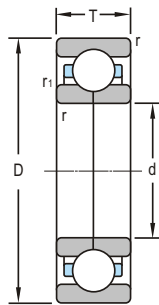
Bearing Designations						Mounting Dimensions					Mass
Present			Original			<i>d<sub>a</sub></i>	<i>D<sub>a1</sub></i>	<i>D<sub>a2</sub></i>	<i>r<sub>a</sub></i>	<i>r<sub>a1</sub></i>	kg
tandem	back-to-back	face-to-face	tandem	back-to-back	face-to-face	mm					
7322B/DT	7322B/DB	7322B/DF	466322	266322	366322	124	226	233	2.5	1	20.6
	B7322AC/DB			546322		124	226	233	2.5	1	23.5
7224C/DT	7224C/DB	7224C/DF	436224	236224	336224	132	203	208	2.1	1	10.8
7224AC/DT	7224AC/DB	7224AC/DF	446224	246224	346224	132	203	208	2.1	1	10.8
7224B/DT	7224B/DB	7224B/DF	466224	266224	366224	132	203	208	2.1	1	12.3
7224B/QT			3-634			132	203	208	2.1	1	24.5
	7026TN/DBYA			246126KA		140	190	194	2	1	6.76
7226AC/DB						146	212	214	2.5	1	14.9
7228C/DT	7228C/DB	7228C/DF	436228	236228	336228	152	238	243	2.1	1	19.8
4030X2DCM/P5						162		218	2.1	2.1	10.4
7232ACM/PA4DB	B7332AC/DB		546332			174	283	283	2.5	1.1	29.2
						178	322	331	3	1.5	65.3
4036D			4286136			192	268	273	2.1	1	20.9
				71938AC/DF		208	242	246	3	2.1	8.9
49/203.23D						213	266	270	2	1	13.5
7244AC/DT	7244AC/DB	7244AC/DF	446244	246244	346244	238	382	391	3	1.5	77
4048D						254	346	346	2.5	2.5	39.3
4052X3D						274	355	355	2.5	2.5	39.7
4052D/C2						290	383	374	3	1.5	60.5
4956X3D						292	377	377	2.1	2.1	34.7
4960X3D/C2						327	404	397	2.5	1	45.8
4868X3D/YB2						352	388	393	2.1	1	21.6
			71984DF		1346984K	434	546	551	2.5	1.5	105
71892 AM/DT						476	560	564	2.5	2.5	68



d 540~1180mm

Boundary Dimensions					Basic Load Ratings		Limiting Speeds	
$d$	$D$	$2B$	$r_{min}$	$r_{1min}$	Dynamic $C$	Static $C_0$	Grease	Oil
mm					kN		r/min	
540	660	108	3	3	661	1680	450	560
850	1030	164	5	2	1126	3720	500	700
1180	1420	212	6	4	1786	7420	60	80

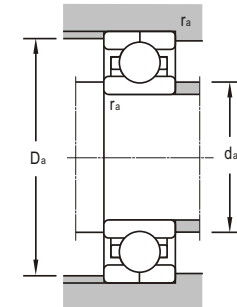
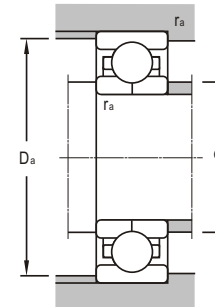
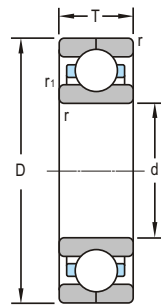
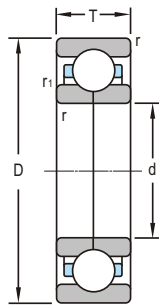
	Bearing Designations						Mounting Dimensions					Mass kg
	Present tandem			Original face-to-face			$d_a$	$D_{a1}$	$D_{a2}$	$r_a$	$r_{a1}$	
							mm					
LY-7027							577	639	633	2.5	2.5	76.8
718/850AMB/DT							868	1002	996	4	1.5	277
						SN 718/1180 AC/DF	1208	1376	1394	5	3	632



d 10~100mm

Boundary Dimensions						Basic Load Ratings		Limiting Speeds	
<i>d</i>	<i>D</i>	<i>B</i>	<i>T</i>	<i>r<sub>min</sub></i>	<i>r<sub>1</sub></i>	Dynamic <i>C</i>	Static <i>C<sub>0</sub></i>	Grease	Oil
mm						kN		r/min	
10	28	8	8	0.3	0.3	5.82	2.53	24000	30000
16	30	106.2	106.2	1.4	1.4	11.3	6.5	7.9	5.4
17	35	10	10	0.3	0.3	8.23	4.53	15000	20000
20	47	12	12	1.1	0.5	15.5	8.92	15000	19000
25	62	17	20	1.1	0.6	27	15.6	11000	14500
	67	20.6	34	1	0.8	23.5	19.3	11000	14500
26	62	17	20	1.1	0.5	27	15.6	11000	14500
32	72	24.5	30	1.1	0.5	32.8	20.5	18000	12000
30	72	19	19	1.1		38.5	38	6700	9000
35	59.482	14.5	14.5	1.1	0.5	21.4	14.9	8000	10000
	80	29	33.5	1.5	0.5	40.2	24.7	9000	11000
53	84	16.15	20	1.1	0.6	17.4	14.7	7300	9200
63	102	23	27	2	1	31.5	21.6	6000	8000
65	102	16.5	21.5	1.1	1.1	26.9	21.7	6000	8000
	140	33	33	2.1	2.1	118	132	3800	5300
70	125	24	24	1.5		51.8	43.1	3200	4300
75	160	37	37	2.1	2.1	163	204	3400	4800
80	140	21	26.5	2	1	51	48	3500	4400
81	107	17	17	0.5	0.5	16.4	24.6		
90	140	24	24	1.5		59.1	56.6	6000	7600
	190	43	43	3		193	259	2400	3400
91	117	20	20	0.5	0.5	17	26.9		
100	180	34	34	2.1	2.1	152	215	2800	3800

Bearing Designations		Mounting Dimensions			Mass
Present	Original	<i>d<sub>1min</sub></i>	<i>D<sub>max</sub></i>	<i>r<sub>max</sub></i>	
		mm			kg
S7600	6700	12.4	25.6	0.3	0.0227
WR1630106.2	3-637				0.253
S71003	106103	19.4	32.6	0.3	0.0452
S70204X2	6704	27	40	1	0.103
SN7305X2/YA	26705	32	55	1	0.276
4605-2RS	186705	31	61	1	0.523
S76/26/YA	26905	33	55	1	0.281
SN76/32/YA	26706	39	65	1	0.454
QJS306	176306	37	65	1	0.418
LR7607	226707	42	53	1	0.105
SN72307X2/YA	26707	44	71	1.5	0.561
46/53/YA	996911K1	60	77	1	0.44
B76/63/YA	26913	73	92	2	0.707
QJ313	996713	72	95	1	0.569
	176313	77	128	2.1	2.7
QJS214	276214	79	114	1.5	1.31
QJ315N2	176315	87	148	2.1	4.04
S7216X2/YA	26216	90	130	2	1.33
LY-Q017		83.5	104.5	0.5	0.312
QJ1018	1176118	99	131	1.5	1.47
QJ318	176318	104	176	2.5	6.51
LY-Q018		93.5	114.5	0.5	0.346
QJ220N2		112	168	2.1	4.22



d 120~1060mm

Boundary Dimensions						Basic Load Ratings		Limiting Speeds	
d	D	B	T	r <sub>min</sub>	r <sub>1</sub>	Dynamic C	Static C <sub>0</sub>	Grease	Oil
mm						kN		r/min	
120	165	34	34	1.1	0.8	85.4	131	1400	2000
	215	40	40	2.1	2.1	209	318	2400	3200
	260	55	55	3	3	263	365	1600	2200
140	210	33	33	2	2	206	273	3200	4000
	250	42	42	3	3	252	436	2000	2800
	300	62	62	4	4	361	646	1700	2400
150	225	35	35	2.1	2.1	169	298	3000	3700
160	220	45	45	2	1	125	208	1000	1500
	290	48	48	3	3	286	533	1700	2400
170	230	45	45	2	1	128	220	950	1450
	260	42	42	2.1	2.1	221	409	1800	2400
	310	52	52	4	4	382	742	2000	1500
180	280	46	46	2.1	2.1	246	481	1300	1800
	280	46	46	2.1	2.1	246	481	1300	1800
190	260	33	33	2	2	125	177	2600	3200
220	300	60	60	2.5	1.2	219	392	1900	2400
	340	56	56	3	3	306	653	1200	1700
240	440	72	72	4	4	649	1200	1000	1500
260	368	48	48	2.1	2.1	298	676	1000	1400
280	420	65	65	4	4	410	1010	1400	1800
	389.5	65	65	4	4	433	803	900	1100
320	440	50	100	4	4	237	492	1200	1500
	480	74	74	4	4	447	587	800	1100
	580	92	92	5	5	946	2100		
360	540	82	82	5	5	491	900	1000	1300
1000	1380	190							
1060	1500	195							

Bearing Designations		Mounting Dimensions			Mass
Present	Original	d <sub>1min</sub>	D <sub>amax</sub>	r <sub>amax</sub>	
		mm			kg
3924D	3356924	127	158	1	2.51
QJ224N2		132	203	2.1	7.04
QJF324	116324	134	246	2.5	15.6
QJF1028	176128	150	200	2	4.33
QJ228N2		154	236	2.5	10.1
QJ328		158	382	3	
QJF1030	176130	162	213	2.1	5.16
3932D	3356932	170	210	2	5.41
QJ232		174	276	2.5	16
3934D	3356934	180	220	2	5.9
QJF1034		182	248	2.1	8.18
QJ234N2	176234K	188	292	3	18.107
QJ1036	176136	192	268	2.1	11.4
QJ1036N2	176136K	192	268	2.1	11.4
QJ1938	1176938	200	250	2	6.02
3944D	3356944	234	286	2.1	13.1
QJ1044N2	176144	234	326	2.5	20.2
QJF248M		258	222	3	51.6
QJF1952X2		272	356	2.1	16.9
QJF1056	176156	298	402	3	34.3
QJF1056X1		298	371	3	23.2
7664D		338	422	3	
QJF1064	176164	338	462	3	50
QJF 264 M		342	558	4	123
QJF1072	176172	382	518	4	71.5
QJ 6/1000M				393	
QJ 6/1060MA/C9				393	