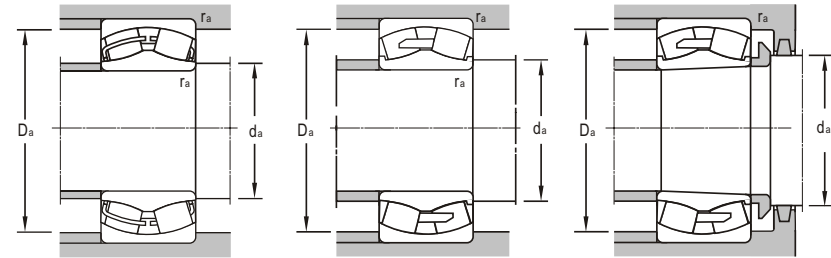
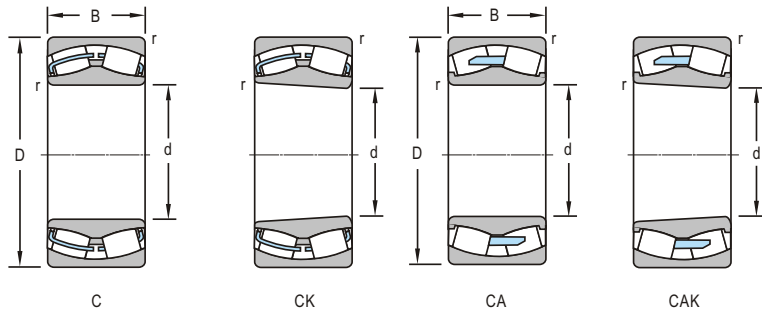


d 110~130mm

Boundary Dimensions				Basic Load Ratings		Limiting Speeds		
<i>d</i>	<i>D</i>	<i>B</i>	<i>r</i> _{min}	Dynamic <i>C</i>	Static <i>C</i> ₀	Grease	Oil	
mm				kN		r/min		
110	170	60	2	359	605	1700	2500	
	170	60	2	359	605	1700	2500	
	180	56	2	365	562	1900	2600	
	180	56	2	365	562	1900	2600	
	180	69	2	483	754	1600	2000	
	180	69	2	435	721	1500	1800	
	200	53	2.1	426	588	2000	2800	
	200	53	2.1	366	531	1900	2700	
	200	69.8	2.1	515	760	1600	2000	
	240	80	3	629	795	1600	2000	
	240	80	3	728	963	1600	2000	
	240	80	3	739	982	1600	2000	
	240	80	3	750	915	1500	1900	
	240	92.1	3	799	998	1400	1700	
120	180	46	2	315	527	1800	2500	
	180	46	2	315	527	1800	2500	
	180	60	2	395	686	1500	2000	
	180	60	2	395	686	1600	2000	
	200	62	2	410	660	1700	2300	
	200	62	2	410	660	1700	2300	
	200	80	2	561	919	1300	1700	
	200	80	3	561	919	1300	1700	
	200	80	2	589	949	1400	1800	
	215	58	2.1	495	689	1900	2600	
	215	58	2.1	489	656	1800	2500	
	215	76	2.1	595	910	1500	1900	
	260	86	3	746	954	1400	1800	
	260	86	3	842	1110	1400	1800	
	130	200	52	2	400	655	1700	2300
		200	52	2	400	655	1700	2300
		210	64	2	499	777	1600	2200
210		80	2	581	982	1300	1700	
210		80	2	581	982	1300	1700	
210		80	2	633	1070	1300	1700	
230		64	3	582	830	1800	2400	
230		64	3	552	786	1700	2300	
230		64	3	564	800	1700	2300	
230		80	3	700	1080	1300	1700	
280		93	4	930	1250	1300	1700	

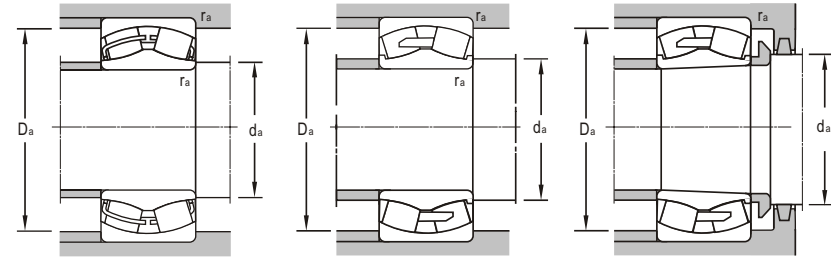
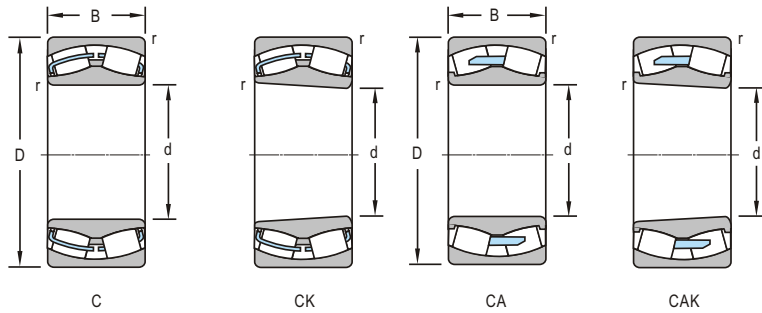
Bearing Designations				Mounting Dimensions			Calculation Factors				Mass
Cylindrical Bore	Present		Original Cylindrical Bore	<i>d</i> _{amin}	<i>D</i> _{amax}	<i>T</i> _{amax}	<i>e</i>	<i>Y</i> ₁	<i>Y</i> ₂	<i>Y</i> ₀	kg
	Tapered Bore	Tapered Bore									
24022CC/W33C4S2				119	161	2	0.33	2	3	2	5.14
24022C	24022CK30			120	160	2	0.32	2.1	3.1	2	5.18
23122/W33	23122K/W33	3003722Y	3113722Y	120	170	2	0.32	2.1	3.1	2	6.25
23122N		3203722		120	170	2	0.32	2.1	3.1	2	6.2
24122C/W33	24122K30/W33	4053722Y	4453722Y	120	170	2	0.35	1.9	2.9	1.8	6.88
24122CA/W33	24122CAK30/W33			120	170	2	0.36	1.9	2.8	1.8	6.86
22222C/W33	22222CK/W33	53522Y	153522Y	122	188	2	0.25	2.7	4	2.7	7.25
22222/W33	22222K/W33	3522Y	113522Y	122	188	2	0.28	2.4	3.6	2.5	7.37
23222C/W33	23222CK/W33	3053222Y	3153222Y	122	188	2	0.35	1.9	2.9	1.8	9.66
22322 ZMA/W33				124	226	2.5	0.33	2	3	2	18
22322CA/C3W33YA				124	226	2.5	0.35	2	2.9	1.8	17.7
22322CA/W33	22322CAK/W33	53622HY	153622HY	124	226	2.5	0.35	1.9	2.9	1.8	17.5
22322/W33	22322K/W33	3622Y	113622Y	124	226	2.5	0.37	1.8	2.7	1.8	18
23322/W33	23322K/W33	3003322Y	3113322Y	124	226	2.5	0.44	1.5	2.3	1.5	23.6
23024/W33	23024K/W33	3003124Y	4453124HY	130	170	2	0.25	2.7	4	2.7	4.63
23024N		3203124		130	170	2	0.25	2.7	4	2.7	4.61
24024CA/W33	24024CAK30/W33			130	170	2	0.3	2.3	3.4	2.2	5.41
24024C/W33		4053124Y		130	170	2	0.3	2.3	3.4	2.2	5.41
23124/W33	23124K/W33	3003724Y	3113724Y	130	190	2	0.32	2.1	3.1	2	7.61
23124N		3203724		130	190	2	0.32	2.1	3.1	2	7.57
24124CA/W33	24124CAK30/W33			130	190	2	0.38	1.7	2.6	1.7	10
24124CA/C3YB				131	189	2	0.37	1.8	2.7	1.8	10
24124C/W33	24124CK30/W33	4053724Y	4453724Y	130	190	2	0.38	1.7	2.6	1.7	10
22224C/W33	22224CK/W33	53524Y	153524Y	132	203	2	0.25	2.7	4	2.7	9.08
22224/W33	22224K/W33	3524Y	113524Y	132	203	2	0.28	2.4	3.6	2.5	9.13
23224C/W33	23224CK/W33	3053224Y	3153224Y	132	203	2	0.35	1.9	2.9	1.8	12
22324 ZMA/W33				134	246	2.5	0.35	1.9	2.9	1.8	22.6
22324C/W33	22324CK/W33	53624Y	53624HY	134	246	2.5	0.4	1.7	2.5	1.6	22.7
23026/W33	23026K/W33	3003126Y	3113126Y	140	190	2	0.26	2.6	3.9	2.5	6.8
23026N		3203126		140	190	2	0.26	2.6	3.9	2.5	6.72
23126CA/W33	23126CAK30/W33			140	200	2	0.36	1.9	2.8	1.8	9.55
24126 CA/C3W33				141	199	2	0.35	2.9	1.8	1.8	10.8
24126 CA/W33				141	199	2	0.35	2.9	1.8	1.8	10.8
24126C/W33	24126CAK30/W34	4053726Y	4453726Y	140	200	2	0.36	1.9	2.8	1.8	10.9
22226C/W33	22226CK/W33	53526Y	153626Y	144	216	2.5	0.35	1.9	2.9	1.8	11.7
22226CA/W33	22226CAK/W33			144	216	2.5	0.27	2.5	3.7	2.5	11.4
22226/W33	22226K/W33	3526Y	113526Y	144	216	2.5	0.29	2.4	3.5	2.3	11.1
23226C/W33	23226K/W33	3053226Y	3153226Y	144	216	2.5	0.33	2	3	2	14.4
22326CA/W33	22326CAK/W33	53626HY	153626HY	148	262	3	0.35	1.9	2.9	1.8	27.1



d 130~160mm

Boundary Dimensions				Basic Load Ratings		Limiting Speeds	
<i>d</i>	<i>D</i>	<i>B</i>	<i>r_{min}</i>	Dynamic <i>C</i>	Static <i>C₀</i>	Grease	Oil
mm				kN		r/min	
130	280	93	4	836	1090	1200	1600
	280	93	4	836	1090	1300	1700
140	210	53	2	395	705	1600	2100
	210	53	2	395	705	1600	2100
	210	69	2	530	910	1400	1800
	225	68	2.1	560	925	1500	1800
	225	85	2.1	620	1060	1100	1500
	225	85	2.1	649	1120	1100	1500
	250	68	3	642	931	1700	2200
	250	68	3	636	897	1500	1900
	250	68	3	662	905	1500	1900
	250	88	3	835	1300	1200	1600
	300	102	4	978	1290	1100	1500
	300	102	4	1120	1550	1100	1500
	300	102	4	1100	1420	1100	1500
	150	225	56	2.1	407	725	1500
225		75	2.1	580	1060	1450	1850
250		80	2.1	683	1170	1300	1600
250		100	2.1	951	1570	1000	1400
250		100	2.1	861	1420	900	1300
270		73	3	749	1050	1600	2000
270		73	3	736	1030	1500	1900
270		96	3	907	1350	1100	1500
320		108	4	1140	1580	1000	1400
320		108	4	1210	1660	1000	1400
320		108	4	1210	1660	1000	1400
320		108	4	1220	1680	1000	1400
160	240	60	2.1	495	875	1500	1900
	240	60	2.1	495	875	1500	1900
	240	80	2.1	660	1220	1100	1500
	240	80	2.1	628	1140	1100	1500
	270	86	2.1	820	1200	1200	1600
	270	86	2.1	833	1290	1200	1600
	270	109	2.1	1070	1750	950	1300
	270	109	2.1	958	1590	900	1200
	290	80	3	850	1230	1400	1800
	290	80	3	876	1230	1350	1700
	290	104	3	1020	1550	900	1300

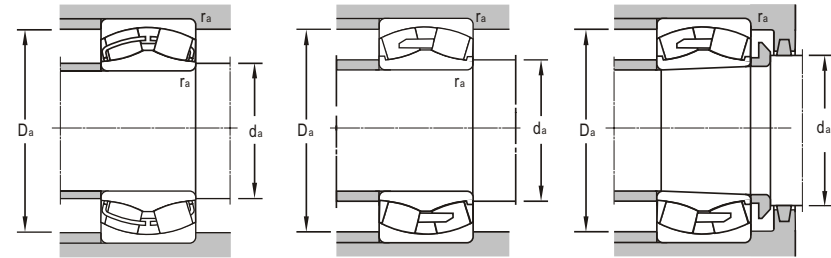
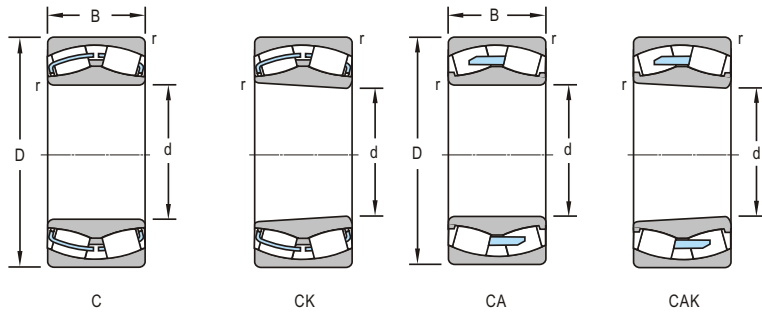
Bearing Designations				Mounting Dimensions			Calculation Factors				Mass
Cylindrical Bore	Present		Original Cylindrical Bore	<i>d_{amin}</i>	<i>D_{amax}</i>	<i>T_{amax}</i>	<i>e</i>	<i>Y₁</i>	<i>Y₂</i>	<i>Y₀</i>	kg
	Tapered Bore	Tapered Bore									
22326ZMB				148	262	3	0.35	1.9	2.9	1.8	28.6
22326 ZMA/W33				147	263	3	0.35	1.9	2.9	1.8	29.1
23028/W33	23028K/W33		3003128Y 3113128Y	150	200	2	0.24	2.8	4.2	2.8	7.65
23028N			3203128	150	200	2	0.24	2.8	4.2	2.8	7.64
24028C/W33	24028CK30/W33		4053128Y 4153128Y	150	200	2	0.28	2.4	3.6	2.5	8.09
23128CA/W33	23128CAK/W33		3053728HY 3153728HY	152	213	2	0.28	2.4	3.6	2.5	10.4
24128CA/W33	24128CAK30/W33			152	213	2	0.35	1.9	2.9	1.8	12.9
24128 CC/W33/C4				152	213	2	0.35	2.9	1.8	1.7	13
22228C/W33	22228CK/W33		53528Y 153528Y	154	236	2.5	0.26	2.6	3.9	2.5	14.2
22228CA/W33	22228CAK/W33		53528HY 153528HY	154	236	2.5	0.26	2.6	3.9	2.5	14.1
22228/W33	22228K/W33		3528Y 113528Y	154	236	2.5	0.29	2.4	3.5	2.3	14.5
23228C/W33	23228CK/W33		3053228Y 3153228Y	154	236	2.5	0.35	1.9	2.9	1.8	18.8
22328 ZMA/W33				157	283	3	0.35	1.9	2.9	1.8	36.3
22328CA/W33	22328CAK/W33		53628HY 153628HY	158	282	3	0.35	1.9	2.9	1.8	35.9
22328/W33	22328K/W33		3628Y 113628Y	158	282	3	0.38	1.7	2.6	1.7	36.9
23030/W33	23030K/W33		3003130Y 3113130Y	162	213	2	0.25	2.7	4	2.7	8.85
24030CC/W33C4S2				161	214	2	0.3	2.3	3.4	2.2	10.4
23130CA/W33	23130CAK/W33		3053730HY 3153730HY	162	238	2	0.3	2.3	3.4	2.2	18.2
24130C/W33	24130CK30/W33		4053730Y 4453730Y	162	238	2	0.37	1.8	2.7	1.8	20.3
24130CA/W33	24130CAK30/W33			162	238	2	0.38	1.7	2.6	1.7	19.5
22230C/W33	22230CK/W33		53530Y 153530Y	164	256	2.5	0.27	2.5	3.7	2.5	17.9
22230/W33	22230K/W33		3530Y 113530Y	164	256	2.5	0.29	2.4	3.5	2.3	17.5
23230C/W33	23230CK/W33		3053230Y 3153230Y	164	256	2.5	0.35	1.9	2.9	1.8	24.3
22330 ZMA/W33				167	303	3	0.35	1.9	2.9	1.8	44.5
22330CA/C3W33YA				167	303	3	0.35	1.9	2.9	1.8	42.5
22330/W33	22330K/W33		3630Y 113630Y	168	302	3	0.38	1.7	2.6	1.7	42
22330CA/W33	22330CAK/W33		53630HY 153630HY	168	302	3	0.35	1.9	2.9	1.8	41.7
23032N			3203132	172	228	2	0.25	2.7	4	2.7	13.4
23032/W33	23032K/W33		3003132Y 3113132Y	172	228	2	0.25	2.7	4	2.7	13.4
24032C/W33	24032CK30/W33		4053132Y 4453132Y	172	228	2	0.3	2.3	3.4	2.2	12.8
24032 CA/W33				171	229	2	0.3	3.4	2.2	12.8	
23132	23132K			172	258	2	0.32	2.1	3.1	2	20.8
23132CA/W33	23132CAK/W33		3053732HY 3153732HY	172	258	2	0.31	2.2	3.3	2.2	20.3
24132C/W33	24132CK30/W33		4053732Y 4453732HY	172	258	2	0.38	1.7	2.6	1.7	19.5
24132CA/W33				172	258	2	0.38	1.7	2.6	1.7	25.3
22232CA/W33	22232CAK/W33		53532HY 153532HY	174	276	2.5	0.27	2.5	3.7	2.5	22.6
22232/W33	22232K/W33		3532Y 113532Y	174	276	2.5	0.3	2.3	3.4	2.2	22.3
23232CA	23232CAK			174	276	2.5	0.35	1.9	2.9	1.8	29.8



d 160~200mm

Boundary Dimensions				Basic Load Ratings		Limiting Speeds		
d	D	B	r _{min}	Dynamic C	Static C ₀	Grease	Oil	
mm				kN		r/min		
160	340	114	4	1340	1840	930	1200	
	340	114	4	1140	1580	930	1200	
170	260	67	2.1	640	1040	1400	1800	
	260	67	2.1	640	1040	1400	1800	
	260	90	2.1	778	1310	1000	1400	
	310	86	4	981	1390	1200	1600	
	310	110	4	1200	1900	950	1300	
	360	120	4	1500	2140	930	1200	
180	280	74	2.1	710	1210	1300	1600	
	280	100	2.1	930	1610	900	1200	
	280	100	2.1	917	1710	900	1200	
	300	96	3	1060	1800	1100	1500	
	300	96	3	987	1720	1000	1400	
	300	96	3	987	1720	1000	1400	
	300	96	3	987	1720	1000	1400	
	300	118	3	1170	1930	900	1200	
	320	86	4	995	1510	1200	1600	
	320	112	4	1310	2090	900	1200	
	320	112	4	1310	2090	900	1200	
	380	126	4	1650	2330	900	1200	
	190	280	67	2.1	633	1120	1200	1500
		290	75	2.1	800	1500	1200	1500
290		100	2.1	938	1690	950	1300	
320		104	3	1050	1760	950	1300	
320		104	3	1140	1960	950	1300	
320		128	3	1290	2250	850	1100	
340		92	4	1140	1730	1200	1600	
340		92	4	1090	1640	1200	1600	
340		120	4	1490	2380	850	1100	
400		132	5	1850	2590	850	1100	
200	310	82	2.1	870	1510	1100	1400	
	340	112	3	1230	2240	850	1200	
	340	140	3	1530	2620	800	1000	
	340	140	3	1530	2620	800	1000	
	340	140	3	1660	2810	800	1000	
	360	98	4	1210	1870	1100	1500	
	360	128	4	1490	2370	800	1000	

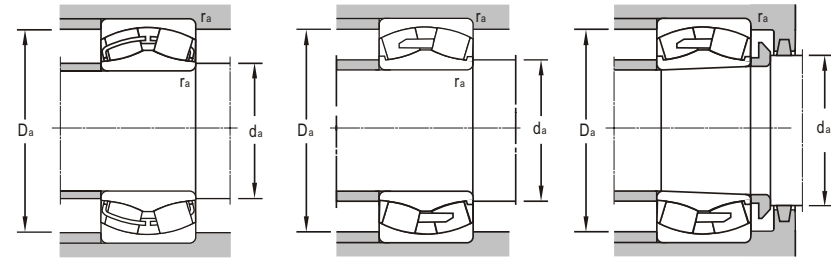
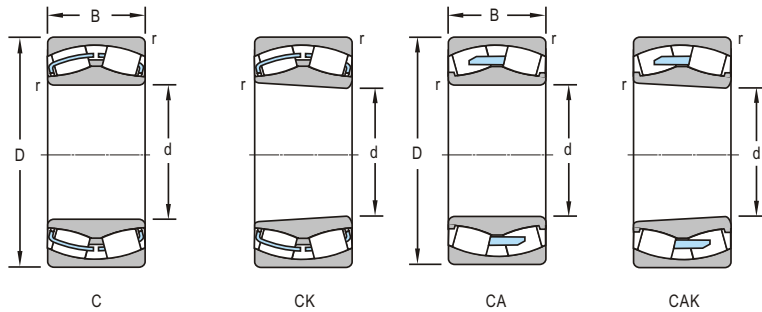
Bearing Designations				Mounting Dimensions			Calculation Factors				Mass
Cylindrical Bore	Present		Original Cylindrical Bore	d _{amin}	D _{amax}	r _{amax}	e	Y ₁	Y ₂	Y ₀	kg
	Tapered Bore	Tapered Bore									
22332W33	22332K/W33		3632Y	178	322	3	0.38	1.7	2.6	1.7	50.3
22332MA/W33/CA				177	323	3	0.35	1.9	2.9	1.8	53.3
23034N			3203134	182	248	2	0.26	2.6	3.9	2.5	14.6
23034W33	23034 K/W33		3003134 Y	182	248	2	0.26	2.6	3.9	2.5	14.6
24034C/W33	24034CK30/W33		4003134Y	182	248	2	0.33	2	3	2	19.3
22234W33	22234K/W33		3534Y	188	292	3	0.3	2.3	3.4	2.2	27.6
23234CA/W33	23234CAK/W33		3053234HY	188	292	3	0.35	1.9	2.9	1.8	37.1
22334W33	22334K/W33		3634Y	188	342	3	0.37	1.8	2.7	1.8	59.3
23036W33	23036K/W33		3003136Y	192	268	2	0.26	2.6	3.9	2.5	19.3
24036W33	24036K30/W33		4003136Y	192	268	2	0.35	1.9	2.9	1.8	22.3
24036C/P69 W33				191	269	2	0.33	2	3	2	22.7
23136C/W33	23136CK/W33			194	286	2.5	0.3	2.3	3.4	2.2	27.2
23136W33	23136K/W33		3003736 Y	194	286	2.5	0.32	2.1	3.1	2	26.8
23136W33VA2			3003736KY	194	286	2.5	0.32	2.1	3.1	2	26.8
23136 N			3203736	194	286	2.5	0.32	2.1	3.1	2	26.4
24136W33	24136K30/W33			194	286	2.5	0.38	1.7	2.6	1.7	33.7
22236W33	22236K/W33		3536Y	198	302	3	0.28	2.4	3.6	2.5	29.3
23236CA/W33	23236CAK/W33		3053236HY	198	302	3	0.35	1.9	2.9	1.8	39.5
23236CA/W33VA2			3053236HKY	198	302	3	0.35	1.9	2.9	1.8	39.4
22336W33	22336K/W33		3636Y	198	362	3	0.35	1.9	2.9	1.8	80.7
2638			3738	202	270	2	0.23	2.9	4.4	2.8	13.7
23038W33	23038 K/W33		3003138 Y	202	278	2	0.26	2.6	3.9	2.5	20.3
24038C/W33	24038CK30/W33		4003138Y	202	278	2	0.31	2.2	3.3	2.2	23.9
23138W33	23138K/W33			204	306	2.5	0.33	2	3	2	35.1
23138CA/W33	23138CAK/W33			204	306	2.5	0.31	2.2	3.3	2.2	45
24138CA	24138CAK30/W33			204	306	2.5	0.4	1.7	2.5	1.6	43.8
22238CA/W33	22238 CAK/W33		53538HY	208	322	3	0.26	2.6	3.9	2.5	35.5
22238W33	22238K/W33		3538Y	208	322	3	0.29	2.4	3.5	2.3	35.5
23238CA/W33	23238CAK/W33		3053238HY	208	322	3	0.35	1.9	2.9	1.8	51
22338W33	22338K/W33		3638Y	210	380	4	0.25	2.7	4	2.7	79.7
23040W33	23040 K/W33		3003140Y	212	298	2	0.26	2.6	3.9	2.5	26
23140W33	23140 K/W33		3003740Y	214	326	2.5	0.34	2	2.9	1.9	50.5
24140CA/W33				214	326	2.5	0.4	2.5	1.6	52.3	
24140CA/C3W33				214	326	2.5	0.4	2.5	1.6	52.3	
24140C/W33	24140CK30/W33		4053740Y	214	326	2.5	0.4	1.7	2.5	1.6	51.9
22240W33	22240K/W33		3540Y	218	342	3	0.29	2.4	3.5	2.3	44.7
23240W33	23240K/W33			218	342	3	0.36	1.9	2.8	1.8	56.8



d 200~280mm

Boundary Dimensions				Basic Load Ratings		Limiting Speeds	
d	D	B	r _{min}	Dynamic C	Static C ₀	Grease	Oil
mm				kN		r/min	
200	420	138	5	1900	2800	850	1100
220	320	76	3	758	1280	1000	1300
	340	90	3	1100	1750	1100	1500
	370	120	4	1530	2640	900	1200
	370	120	4	1540	2650	850	1100
	370	150	4	1870	3350	750	950
	400	108	4	1570	2430	950	1300
	400	108	4	1570	2430	950	1300
	400	144	4	1860	3100	750	950
	460	145	5	2130	3170	750	950
	240	320	60	2.1	579	1220	1000
360		92	3	1160	1870	1000	1400
360		118	3	1320	2610	800	1000
400		128	4	1870	3000	850	1100
400		128	4	1800	2950	850	1100
400		160	4	1980	3710	670	850
440		120	4	1720	2700	900	1200
440		160	4	2280	3870	670	850
500		155	5	2400	3600	670	850
250		365	87	3	956	1870	880
260	360	75	2.1	883	1760	1000	1300
	400	104	4	1440	2570	900	1200
	400	140	4	1700	3260	700	900
	400	140	4	1700	3260	700	900
	440	144	4	2290	3510	800	1000
	440	144	4	2550	3900	800	1000
	440	180	4	2500	4560	720	900
	440	180	4	2470	4320	600	750
	440	180	4	2350	4320	600	750
	480	130	5	2160	3100	850	1100
	480	174	5	2800	4100	560	720
	490	153	4	2420	3940	760	1050
	540	165	6	2860	4430	560	720
280	380	75	2.1	911	1860	900	1200
	420	106	4	1560	2560	850	1100
	420	106	4	1540	2950	800	1000

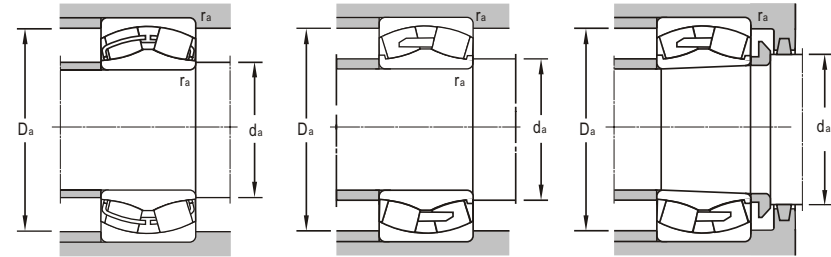
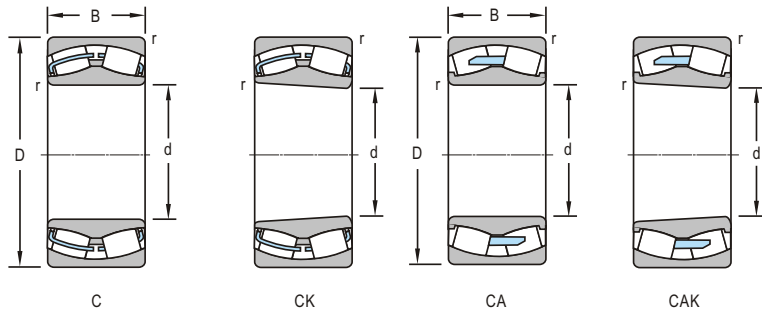
Bearing Designations				Mounting Dimensions			Calculation Factors				Mass	
Cylindrical Bore	Present		Original Cylindrical Bore	d _{amin}	D _{amax}	r _{amax}	e	Y ₁	Y ₂	Y ₀	kg	
	Tapered Bore	Tapered Bore										
22340/W33	22340K/W33		3640Y	113640Y	222	398	4	0.37	1.8	2.7	1.8	93.5
2644			3844		232	308	2.5	0.23	2.9	4.4	2.8	21.6
23044/W33	23044K/W33		3003744Y	3113744Y	233	327	2.5	0.26	2.6	3.9	2.5	30.8
23144/W33	23144K/W33		3003744Y	3113744Y	237	353	3	0.32	2.1	3.1	2	53.5
23144CA/W33	23144CAK/W33		4053744Y	4453744Y	237	353	3	0.32	2.1	3.1	2	54.2
24144C/W33	24144CK30/W33		3544Y	113544Y	237	353	3	0.4	1.7	2.5	1.6	66.1
22244/W33	22244K/W33		3644Y	113644Y	237	383	3	0.29	2.4	3.5	2.3	62.4
22244CA/W33	22244CAK/W33		3644Y	113644Y	237	383	3	0.27	2.5	3.7	2.5	62.4
23244/W33	23244K/W33		3003244Y	3113244Y	237	383	3	0.38	1.8	2.6	1.7	94.2
22344/W33	22344K/W33		3644Y	113644Y	240	440	4	0.35	1.9	2.9	1.8	130
23948CA/W33					251	309	2	0.15	4.5	6.7	4.5	13.4
23048/W33	23048K/W33		3003148Y	3113148Y	253	347	2.5	0.25	2.7	4	2.7	37.4
24048CA/W33	24048CAK30/W33		3003748Y	3113748Y	253	347	2.5	0.3	2.3	3.4	2.2	42.4
23148/W33	23148K/W33		3003748Y	3113748Y	257	383	3	0.33	2	3	2	75.2
23148CA/W33	23148CAK/W33		3648Y	113648Y	257	383	3	0.3	2.3	3.4	2.2	65
24148/W33	24148K30/W33		4003748Y	4403748Y	257	383	3	0.41	1.7	2.5	1.6	81.6
22248/W33	22248K/W33		3548Y	113548Y	257	423	3	0.29	2.4	3.5	2.3	85
23248/W33	23248K/W33		3003248Y	3113248Y	257	423	3	0.37	1.8	2.7	1.8	109
22348/W33	22348K/W33		3648Y	113648Y	260	480	4	0.35	1.9	2.9	1.8	154
2650			3750		264	351	2.5	0.22	3	4.5	2.9	32.2
23952CA/W33					271	349	2	0.18	3.8	5.6	3.6	23.7
23052/W33	23052K/W33		3003152Y	3113152Y	275	385	3	0.26	2.6	3.9	2.5	51.2
24052CA/W33	24052CAK30/W33		3003752Y	3113752Y	275	385	3	0.33	2	3	2	63.4
24052CA/C9/W33			3003752Y	3113752Y	275	385	3	0.33	2	3	2	63.3
23152/W33	23152K/W33		3003752Y	3113752Y	277	423	3	0.33	2	3	2	96
23152/S1					277	423	3	0.31	2.2	2.3	2.2	96
24152/W33	24152K30/W33				277	423	3	0.42	1.6	2.4	1.6	112
24152CA/W33	24152CAK30/W33				277	423	3	0.4	1.7	2.5	1.6	108
24152C/W33	24152CK30/W33		4053752Y	4453752Y	277	423	3	0.4	1.7	2.5	1.6	113
22252CA/W33	22252CAK/W33		53552HY	153552HY	280	460	4	0.27	2.5	3.7	2.5	105
23252CA/W33	23252CAK/W33		3053252HY	3153252HY	280	460	4	0.37	1.8	2.7	1.8	151
2652			3752		280	460	4	0.33	2	3	2	140
22352/W33	22352K/W33		3652Y	113652Y	286	514	5	0.34	2	2.9	1.9	193
23956CA/W33					291	369	2	0.16	4.2	6.3	4	25
23056/W33	23056K/W33		3003156Y	3113156Y	295	405	3	0.25	2.7	4	2.7	61.5
23056CA/W33	23056CAK/W33				295	405	3	0.23	2.9	4.4	2.8	51.7



d 280~360mm

Boundary Dimensions				Basic Load Ratings		Limiting Speeds	
d	D	B	r _{min}	Dynamic C	Static C ₀	Grease	Oil
mm				kN		r/min	
280	420	140	4	1780	3500	670	850
	460	146	5	2070	3960	750	950
	460	146	5	2380	3880	750	950
	460	180	5	2360	4420	560	700
	460	180	5	2400	4500	560	700
	460	180	5	2400	4590	560	700
	500	130	5	2110	3370	800	1000
	500	176	5	2560	4350	600	750
	500	180	5	2360	4420	600	750
	580	175	6	3180	4970	600	750
300	420	90	3	1260	2460	950	1300
	460	118	4	1910	3170	720	920
	460	118	4	2090	3370	800	1000
	460	160	4	2430	4490	600	750
	500	160	5	2580	4590	670	850
	500	160	5	2700	4920	650	850
	500	160	5	2880	4640	670	850
	500	200	5	3380	5940	530	670
	500	200	5	3120	5650	500	600
	500	200	5	3180	6100	450	550
540	140	5	2480	3820	700	900	
320	440	90	3	1290	2430	900	1200
	480	121	4	1850	3450	720	900
	480	121	4	2020	3580	800	1000
	480	160	4	2570	5060	680	850
	540	176	5	3390	5538	630	800
	540	218	5	3470	6430	480	600
	580	208	5	3500	6360	500	630
	580	218	5	3470	6430	460	580
340	460	90	3	1310	2520	880	1180
	520	133	5	2430	4350	680	880
	520	180	5	2920	5580	510	650
	520	180	5	3110	5710	520	660
	580	190	5	3830	6240	600	750
	580	243	5	4180	7720	450	560
360	480	90	3	1330	2710	850	1100
	540	134	5	2480	4500	670	850

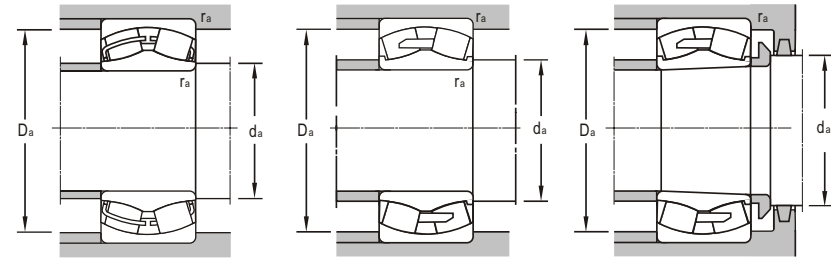
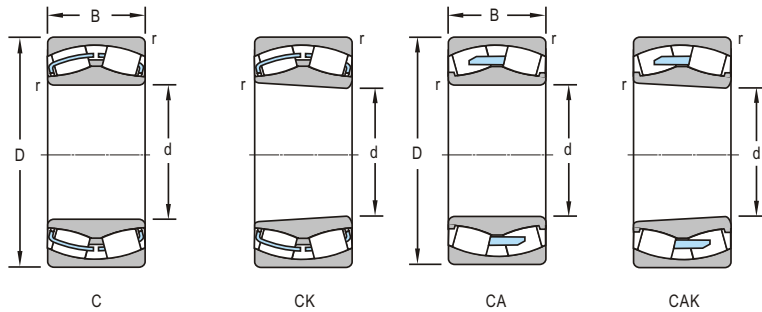
Bearing Designations				Mounting Dimensions			Calculation Factors				Mass
Cylindrical Bore	Present		Original Cylindrical Bore	d _{amin}	D _{amax}	r _{amax}	e	Y ₁	Y ₂	Y ₀	kg
	Tapered Bore	Tapered Bore									
24056CA/W33	24056CAK30/W33			295	405	3	0.3	2.3	3.4	2.2	71.3
23156/W33	23156K/W33	3003756Y	3113756Y	300	440	4	0.32	2.1	3.1	2	95
23156CA/W33	23156CAK/W33			300	440	4	0.31	2.2	3.3	2.2	96.2
24156 CA				300	440	4	0.37	1.8	2.7	1.8	119
24156 CA/YA				300	440	4	0.37	1.8	2.7	1.8	157
24156/W33	24156K30/W33			300	440	4	0.37	1.8	2.7	1.8	119
22256/W33	22256K/W33	3556Y	113556Y	300	480	4	0.28	2.4	3.6	2.5	124
23256/W33	23256 K/W33	3003256Y	3113256Y	300	480	4	0.37	1.8	2.7	1.8	152
24156/W33/YA1				300	480	4	0.37	1.8	2.7	1.8	158
22356/W33	22356K/W33	3656Y	113656Y	306	554	5	0.34	2	2.9	1.9	238
23960C/W33	23960CK/W33			313	407	2.5	0.19	3.6	5.3	3.5	39.5
23060/W33	23060K/W33	3003160Y	3113160Y	315	445	3	0.26	2.6	3.9	2.5	74.6
23060CA/W33	23060CAK/W33			315	445	3	0.24	2.8	4.2	2.8	76.6
24060CA/W33	24060CAK30/W33	4053160Y	4453160Y	315	445	3	0.32	2.1	3.1	2	101
23160/W33	23160K/W33	3003760Y	311760Y	320	480	4	0.32	2.1	3.1	2	133
23160CC/C3/W33				320	480	4	0.3	2.3	3.4	2.2	127
23160CA/W33	23160CAK/W33			320	480	4	0.31	2.2	3.3	2.2	127
24160C/W33	24160CK30/W33	4053760Y	4453760Y	320	480	4	0.37	1.8	2.7	1.8	159
24160CA/W33	24160CAK30/W33			320	480	4	0.36	1.9	2.8	1.8	160
24160/W33	24160K30/W33			320	480	4	0.39	1.7	2.6	1.7	159
22260/W33	22260K/W33	3560Y	113560Y	320	520	4	0.28	2.4	3.6	2.5	143
23964/W33	23964K/W33	3003964Y	3113964Y	333	427	2.5	0.19	3.6	5.3	3.5	45.1
23064/W33	23064K/W33	3003164Y	3113164Y	335	465	3	0.26	2.6	3.9	2.5	80.9
23064CA/W33	23064CAK/W33			335	465	3	0.24	2.8	4.2	2.8	77.4
24064/W33	24064K30/W33	4003164Y	4113164Y	335	465	3	0.32	2.1	3.1	2	103
23164CA/W33	23164CAK/W33			340	520	4	0.31	2.2	3.3	2.2	169
24164/W33	24164K30/W33	4003764Y	4113764Y	340	520	4	0.42	1.6	2.4	1.6	251
23264/W33	23264K/W33	3003264Y	3113264Y	340	560	4	0.37	1.8	2.7	1.8	259
24164/W33/YA				340	560	4	0.37	1.8	2.7	1.8	262
23968/W33	23968K/W33	3003968Y	3113968Y	353	447	2.5	0.18	3.8	5.6	3.7	50.5
23068/W33	23068K/W33	3003168Y	3113168Y	358	502	4	0.25	2.7	4	2.7	109
24068/W33	24068K30/W33	4003168Y	4113168Y	358	502	4	0.33	2	3	2	160
24068CA/W33	24068CAK30/W33			358	502	4	0.33	2	3	2	140
23168CA/W33	23168CAK/W33			360	560	4	0.31	2.2	3.3	2.2	209
24168CA/W33	24168CAK30/W33			360	560	4	0.39	1.7	2.6	1.7	280
23972/W33	23972K/W33	3003972Y	3113972Y	373	467	2.5	0.17	4	5.9	3.9	49.1
23072/W33	23072K/W33	3003172 Y	3113732Y	378	522	4	0.25	2.7	4	2.7	114



d 360~460mm

Boundary Dimensions				Basic Load Ratings		Limiting Speeds	
<i>d</i>	<i>D</i>	<i>B</i>	<i>r</i> _{min}	Dynamic <i>C</i>	Static <i>C</i> ₀	Grease	Oil
mm				kN		r/min	
360	540	134	5	2390	4700	600	760
	540	180	5	3460	6350	500	630
	540	180	5	3200	6160	480	620
	600	192	5	3400	6700	560	700
	600	243	5	4400	8370	430	530
	600	243	5	4300	8210	430	530
	600	243	5	4670	9040	430	530
	650	232	6	4520	7930	420	510
	750	224	7.5	4900	7500	450	550
380	520	106	4	1760	3420	800	1000
	560	135	5	2280	4550	630	800
	560	135	5	2480	5050	630	800
	560	135	5	2610	4850	630	800
	560	180	5	3240	6460	480	600
	620	194	5	3450	6800	400	500
	620	194	5	3700	7000	400	500
	780	230	7.5	5340	8390	340	430
	400	590	142	5	2300	5000	700
600		148	5	2520	5450	540	670
600		148	5	2850	5610	540	670
650		200	6	3850	7540	380	480
720		256	6	5300	10100	340	430
720		315	6	6620	10400	310	390
820		243	7.5	5900	9360	360	450
401	720	256	6	5300	10100	340	430
	720	256	6	5300	10100	340	430
420	620	150	5	2690	5750	450	560
	700	224	6	4850	9300	360	450
	700	280	6	5700	11300	300	380
	760	272	7.5	6450	11700	320	400
440	600	118	4	2120	4570	550	700
	650	157	6	2900	6050	430	530
	720	226	6	4910	9600	340	430
	720	280	6	5900	11900	280	360
	720	280	6	6150	12300	300	380
460	680	163	6	3150	6860	400	500
	760	240	7.5	5450	10800	320	400
	760	300	7.5	6660	13100	260	340

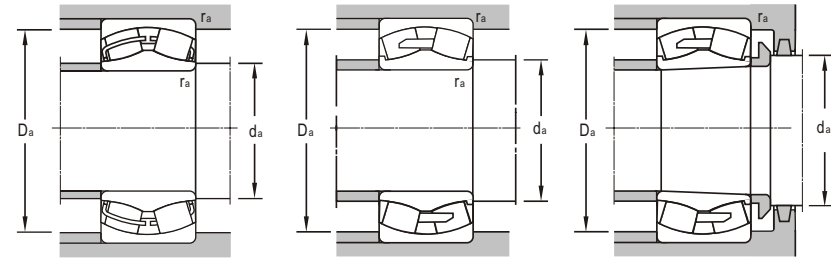
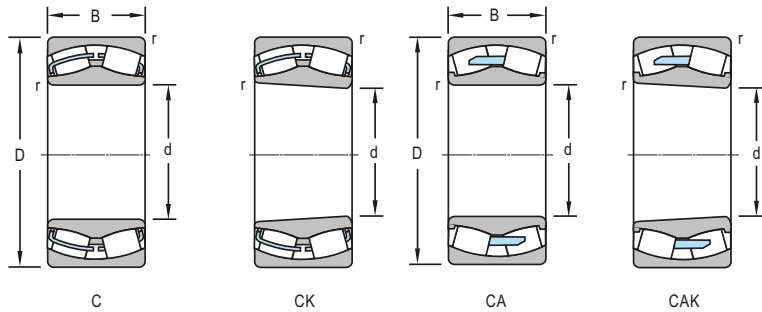
Bearing Designations				Mounting Dimensions			Calculation Factors				Mass	
Cylindrical Bore	Present Tapered Bore	Original Cylindrical Bore	Original Tapered Bore	<i>d</i> _{amin}	<i>D</i> _{amax}	<i>T</i> _{amax}	<i>e</i>	<i>Y</i> ₁	<i>Y</i> ₂	<i>Y</i> ₀	<i>Y</i> ₀	kg
23072CA/W33	23072CAK/W33	3053172HY	3153172HY	378	522	4	0.25	2.7	4	2.7	113	
24072C/W33	24072CK30/W33	4053172Y	4453172Y	378	522	4	0.31	2.2	3.3	2.2	148	
24072CA/W33	24072CAK30/W33	3003772Y	3113772Y	378	522	4	0.31	2.2	3.3	2.2	148	
23172/W33	23172K/W33	3003772Y	3113772Y	380	580	4	0.32	2.1	3.1	2	221	
24172/W33	24172K30/W33	4003772Y	4113772Y	380	580	4	0.42	1.6	2.4	1.6	273	
24172 CAK30/W33				380	580	4	0.42	1.6	2.4	1.6	271	
24172C				380	580	4	0.4	1.7	2.5	1.6	269	
23272 CAK30/W33				386	624	5	0.35	1.9	2.9	1.8	332	
22372/W33	22372K/W33			390	724	5	0.31	2.2	3.3	2.2	489	
23976/W33	23976K/W33	3003976Y	3113976Y	395	505	3	0.19	3.6	5.3	3.5	73.5	
23076/W33	23076 K/W33	3003176Y	3113176 Y	398	542	4	0.24	2.8	4.2	2.8	122	
23076C				398	542	4	0.22	3	4.6	2.8	116	
23076CA/W33	23076CAK/W33			398	542	4	0.22	3	4.5	2.9	114	
24076/W33	24076K30/W33			398	542	4	0.3	2.3	3.4	2.2	152	
23176/W33	23176 K/W33	3003776 Y	3113776 Y	400	600	4	0.34	2	2.9	1.9	243	
23176CAQ1/W33	23176CAKQ1/W33			400	600	4	0.3	2.3	3.4	2.2	230	
22376/W33	22376K/W33			400	760	6	0.31	2.2	3.3	2.2	538	
2680/W33	2680K/W33			418	572	4	0.23	2.9	4.4	2.8	145	
23080/W33	23080K/W33	3003180 Y	3113180Y	420	582	4	0.25	2.7	4	2.8	165	
23080CA/C3/W33				418	582	4	0.23	2.9	4.4	2.8	150	
23180/W33	23180K/W33	3003780 Y	3113780Y	426	624	5	0.31	2.2	3.3	2.2	238	
23280/W33	23280 K/W33	3003280Y	3113280 Y	426	694	5	0.37	1.8	2.7	1.8	530	
24280/W33	24280K30/W33			426	694	5	0.44	1.5	2.3	1.5	549	
22380/W33	22380K/W33	3680Y		432	788	6	0.37	1.8	2.7	1.8	650	
		3G3-316		426	694	5	0.37	1.8	2.7	1.8	515	
23084/W33	24084K30/W33	3003184Y	3113184Y	438	602	4	0.24	2.8	4.2	2.8	158	
23184/W33	23184K/W33	3003784Y	3113784Y	446	674	5	0.32	2.1	3.1	2	402	
24184CA/W33	24184CAK30/W33			446	674	5	0.38	1.7	2.6	1.7	434	
23284CA/W33	23284CAK/W33	3053284HY	3153284HY	452	728	6	0.35	1.9	2.9	1.8	535	
23088CA/W33				455	585	3	0.16	4.2	6.3	4	99	
23088/W33	23088K/W33	3003188Y	3113188Y	463	627	5	0.24	2.8	4.2	2.8	192	
23188/W33	23188K/W33	3003788Y	3113788Y	466	694	5	0.31	2.2	3.3	2.2	419	
24188/W33	24188K30/W33			466	694	5	0.38	1.7	2.6	1.7	443	
24188 CAK30/C3/W33				466	694	5	0.37	1.8	2.7	1.8	446	
23092/W33	23092K/W33	3003192Y	3113192Y	483	657	5	0.23	2.9	4.4	2.8	220	
23192/W33	23192K/W33			492	728	6	0.31	2.2	3.3	2.2	468	
24192/W33	24192K30/W33			492	728	6	0.37	1.8	2.7	1.8	539	



d 480~710mm

Boundary Dimensions				Basic Load Ratings		Limiting Speeds	
<i>d</i>	<i>D</i>	<i>B</i>	<i>r_{min}</i>	Dynamic <i>C</i>	Static <i>C₀</i>	Grease	Oil
mm				kN		r/min	
480	650	128	5	2280	5480	400	500
	650	128	5	2900	5700	400	500
	700	165	6	3280	6910	380	480
	700	165	6	3540	7300	380	480
	790	248	7.5	5800	11400	300	380
	870	310	7.5	7350	13800	250	320
	870	310	7.5	7580	13800	260	340
870	310	7.5	7580	13800	260	340	
494	670	128	5	2440	6060	400	500
	720	167	6	3500	7600	380	480
500	670	128	5	2440	6060	400	500
	720	167	6	3500	7600	380	480
	780	185	6	3930	8550	340	430
	780	185	6	3560	8260	340	430
530	780	185	6	4440	9320	340	430
	980	355	9.5	9960	18500	240	320
	780	185	6	4440	9320	340	430
	820	258	6	6160	14000	340	420
560	820	195	6	4460	10020	300	380
	820	195	6	4700	10300	320	400
	920	280	7.5	7990	16000	240	320
	920	280	7.5	7750	15300	240	320
	920	355	7.5	9450	19500	190	260
	920	355	7.5	9450	19500	190	260
	920	355	7.5	9450	19500	190	260
600	870	200	6	4810	11000	300	380
	980	375	7.5	10400	21300	180	240
630	920	212	7.5	5360	12200	260	340
	920	212	7.5	5360	12200	260	340
670	900	170	6	4130	9840	260	340
	900	170	6	4260	10000	260	340
	980	230	7.5	6240	13700	240	320
	980	308	7.5	8440	19700	220	300
	1090	412	7.5	12500	26900	210	280
	1220	438	12	15500	30200	190	250
	1220	438	12	15500	30200	190	250
710	950	180	6	4290	10900	240	320
	950	180	6	4290	10900	240	320

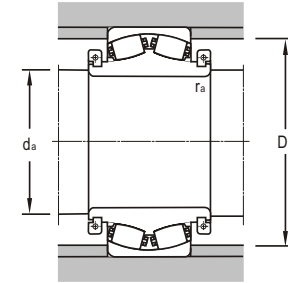
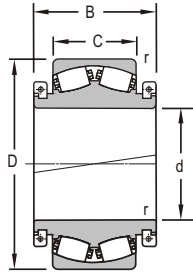
Bearing Designations				Mounting Dimensions			Calculation Factors				Mass
Cylindrical Bore	Present Tapered Bore	Original Cylindrical Bore	Tapered Bore	<i>d_{amin}</i>	<i>D_{amax}</i>	<i>T_{amax}</i>	<i>e</i>	<i>Y₁</i>	<i>Y₂</i>	<i>Y₀</i>	kg
239/96/W33	239/96/W33	3003996Y	3113996Y	498	632	4	0.18	3.8	5.6	3.7	161
239/96/CAF1/W33	239/96/CAF1/W33	3003996Y	3113996Y	498	632	4	0.18	3.8	5.6	3.6	125
230/96/W33	230/96/W33	3003196Y	3113196Y	503	677	5	0.24	2.8	4.2	2.8	231
230/96/CAF3/W33	230/96/CAF3/W33	3003196Y	3113196Y	503	677	5	0.21	3	4.8	3.2	210
231/96CA/W33	231/96CA/W33	3003296Y	3113296Y	512	758	6	0.3	2.3	3.4	2.2	492
232/96/W33	232/96/W33	3003296Y	3113296Y	512	838	6	0.39	1.7	2.6	1.7	837
232/96CA/W33	232/96CA/W33	3003296Y	3113296Y	512	838	6	0.36	1.9	2.8	1.8	857
232/96CA/W33	232/96CA/W33	3003296Y	3113296Y	512	838	6	0.35	1.9	2.9	1.8	881
239/494/W33	239/494/W33			512	652	4	0.18	3.8	5.6	3.7	135
239/500/W33	239/500/W33	30039/500Y	31139/500Y	518	652	4	0.18	3.8	5.6	3.7	130
230/500/W33	230/500/W33	30031/500Y	31131/500Y	523	697	5	0.23	2.9	4.4	2.8	238
230/530/W33	230/530/W33	30031/530Y	31131/530Y	553	757	5	0.23	2.9	4.4	2.8	313
230/530 D-1	230/530 D-1	30031/530Y	31131/530Y	553	757	5	0.23	2.9	4.4	2.8	317
230/530CA/W33 YB	230/530CA/W33 YB	30031/530Y	31131/530Y	553	757	5	0.22	4.6	2.8	300	
232/530CA/W33	232/530CA/W33	30031/530Y	31131/530Y	622	888	6	0.36	1.9	2.8	1.8	1210
230/560CA/W33	230/560CA/W33	30031/560Y	31131/560Y	578	732	4	0.16		6.3	4	168
230/560/W33	230/560/W33	30031/560Y	31131/560Y	583	797	5	0.23	2.9	4.4	2.8	365
230/560CA/W33	230/560CA/W33	30031/560Y	31131/560Y	583	797	5	0.22	3	4.5	2.9	354
240/560 CA/W33	240/560 CA/W33	30037/560Y	31137/560Y	583	797	5	0.28	2.4	3.6	2.5	472
231/560/W33	231/560/W33	30037/560Y	31137/560Y	592	888	6	0.3	2.3	3.4	2.2	757
231/560CA/W33S2	231/560CA/W33S2	30037/560Y	31137/560Y	592	888	6	0.3	2.3	3.4	2.2	762
241/560CA/W33	241/560CA/W33	30037/560Y	31137/560Y	592	888	6	0.37	1.8	2.7	1.8	985
241/560 CA-1/W33	241/560 CA-1/W33	30037/560Y	31137/560Y	592	888	6	0.37	1.8	2.7	1.8	947
230/600/W33	230/600/W33	30031/600Y	31131/600Y	623	847	5	0.22	3	4.5	2.9	393
241/600/W33	241/600/W33	40037/600Y	41137/600Y	632	948	6	0.37	1.8	2.7	1.8	1079
230/630/W33	230/630/W33	30031/630Y	31131/630Y	658	892	6	0.23	2.9	4.4	2.8	509
239/670/W33	239/670/W33	30039/670Y	31139/670Y	693	877	5	0.18	3.8	5.6	3.7	317
239/670 CAF1/W33	239/670 CAF1/W33	30039/670Y	31139/670Y	693	877	5	0.17	4	5.9	4	308
230/670/W33	230/670/W33	30031/670Y	31131/670Y	698	952	6	0.23	2.9	4.4	2.8	655
240/670CA/W33S2	240/670CA/W33S2	30031/670Y	31131/670Y	698	952	6	0.28	2.4	3.6	2.5	806
241/670CA/W33	241/670CA/W33	30031/670Y	31131/670Y	702	1058	6	0.37	2.7	1.8	1507	
232/670CA/W33	232/670CA/W33	30031/670Y	31131/670Y	718	1172	10	0.35	1.9	2.9	1.8	2275
239/710/W33	239/710/W33	30039/710Y	31139/710Y	732	927	5	0.18	3.8	5.6	3.7	387



d 710~1440mm

Boundary Dimensions				Basic Load Ratings		Limiting Speeds	
<i>d</i>	<i>D</i>	<i>B</i>	<i>r_{min}</i>	Dynamic <i>C</i>	Static <i>C₀</i>	Grease	Oil
mm				kN		r/min	
710	1030	236	7.5	6530	15130	220	300
	1030	315	7.5	8890	20700	210	290
	1150	438	9.5	13700	29940	150	190
750	1090	250	7.5	7890	17600	200	280
	1090	335	7.5	9340	22300	190	240
	1090	335	7.5	9340	22300	180	260
	1360	475	15	18500	35700	150	210
800	1060	258	6	7170	19030	200	280
	1150	258	7.5	8630	20000	190	260
	1150	345	7.5	10000	25700	170	220
850	1030	136	5	3640	10300	170	210
	1120	200	6	6010	15300	190	260
	1120	200	6	6100	15800	190	260
	1220	272	7.5	9050	21100	180	240
	1220	365	7.5	10000	26000	160	200
	1220	365	7.5	10000	26000	160	200
	1220	365	7.5	11700	28900	160	200
900	1270	365	7.5	12200	31100	160	200
	1280	375	7.5	12200	31100	150	190
1000	1420	308	7.5	12000	29000	190	250
	1420	412	7.5	15000	40000	120	160
	1580	580	12	24500	56700	110	150
1120	1580	345	12	14400	34800	90	120
	1580	462	9.5	18500	48000	100	140
1180	1540	272	7.5	10400	27700	100	140
	1660	355	9.5	15500	38400	90	120
1200	1500	280	7.5	10000	29700	80	120
1250	1750	500	9.5	20000	52600	80	105
1320	1850	530	7.5	23900	64400	70	90
1440	1760	315	7.5	12000	39200	75	95

Bearing Designations				Mounting Dimensions			Calculation Factors				Mass
Cylindrical Bore	Present		Original Cylindrical Bore	<i>d_{amin}</i>	<i>D_{amax}</i>	<i>t_{amax}</i>	<i>e</i>	<i>Y₁</i>	<i>Y₂</i>	<i>Y₀</i>	kg
	Tapered Bore	Tapered Bore									
230/710/W33	230/710K/W33		30031/710Y	738	1002	6	0.23	2.9	4.4	2.8	742
240/710CA			31131/710Y	738	1002	6	0.27	3.7	2.5	890	
241/710/W33	241/710K30/W33		40037/710Y	750	1110	8	0.38	1.7	2.6	1.7	1802
230/750/W33	230/750K/W33			778	1062	6	0.22	3	4.5	2.9	855
240/750/W33				782	1058	6	0.28	2.4	3.6	2.5	1060
FD-240/750/W33				778	1062	6	0.28	3.6	2.5	1060	
232/750CAK30F1/C3W33				808	1302	12	0.35	1.9	2.9	1.8	3043
249/800/W33	249/800K30/W33		40039/800Y	823	1037	5	0.22	3	4.5	2.9	638
230/800/W33	230/800K/W33		30031/800Y	828	1122	6	0.21	3.2	4.8	3.1	986
240/800/W33	240/800K30/W33		40031/800Y	828	1122	6	0.29	2.4	3.5	3.3	1246
238/850CA/C4W33S2				868	1012	4	0.11	6.1	9.1	6.3	232
FD-239/850CA/W33				876	1097	5	0.16	6.2	4.1	549	
239/850/W33	239/850K/W33		30039/850Y	873	1097	5	0.16	4.2	6.2	4.1	531
230/850/W33	230/850K/W33		31139/850Y	878	1192	6	0.21	3.2	4.8	3.1	1069
240/850/W33	240/850K30/W33		40031/850Y	878	1192	6	0.28	2.4	3.6	2.5	1398
240/850YA			40031/850Y1	878	1192	6	0.28	2.4	3.6	2.5	1396
240/850CA/C4W33S2				878	1192	6	0.27	2.5	3.7	2.5	1430
26/900/C3W33XVA3				928	1242	6	0.27	2.5	3.7	2.5	1703
240/900/W33	240/900K30/W33		40031/900Y	928	1252	6	0.27	2.5	3.7	2.5	1783
230/1000CA/W33C4				1028	1392	6	0.19	5.3	3.6	1609	
240/1000/W33	240/1000K30/W33		40031/1000Y	1028	1392	6	0.27	2.5	3.7	2.5	2117
241/1000CAK30/W33				1048	1532	10	0.35	2.9	1.8	4290	
230/1120CA/C4 YB				1160	1540	10	0.19	3.5	2.3	2155	
240/1120 CA/W33				1159	1541	8	0.26	2.6	3.9	2.5	2908
239/1180 CA/W33				1214	1506	6	0.16	4.2	6.3	4	1360
230/1180/W33	230/1180K/W33			1210	1630	8	0.2	3.4	5.1	3.3	2480
539/1200CA/W33C3				1236	1464	6	0.162	6.2	4.1	1150	
240/1250CA/C4 YB				1290	1710	8	0.26	3.8	2.5	3854	
240/1320CAF/C3W33				1360	1810	6	0.26	3.8	2.5	4504	
239/1440F3/C3W33				1480	1720	6	0.15	6.6	4.3	1597	



d 300~1320mm

Boundary Dimensions					Basic Load Ratings	
<i>d</i>	<i>D</i>	<i>C</i>	<i>B</i>	<i>r_{min}</i>	Dynamic <i>C</i>	Static <i>C₀</i>
mm					kN	
300	500	160	240	5	2710	4940
480	870		310	7.5	7090	13300
530	780	185	288	6	3580	9110
560	820	195	300	6	4060	10600
630	920	212	330	7.5	5650	13100
710	1030	180	370	6	5070	12300
750	1090	310	310	7.5	7670	17000
	1090	250	310	7.5	7670	17000
800	1200	295	450	7.5	10100	22100
850	1220	365	660	7.5	10700	27800
	1220	365	540	7.5	9320	27800
	1220		365	7.5	10700	26000
900	1270	365	470	7.5	11100	33400
950	1360	300	420	7.5	10900	25500
1180	1540		500	9.5	12900	36000
1320	1850		666	10X45°	21900	57200
	1850		815	12	21900	57200

Bearing Designations		Calculation Factors				Mass
Present	Original	<i>e</i>	<i>Y₁</i>	<i>Y₂</i>	<i>Y₀</i>	
		mm				kg
23160D/W33X		0.32	2.1	3.1	2	150
23296D/W33		0.35		2.9	1.8	821
230/530D		0.23	2.9	4.4	2.8	415
230/560D/W33		0.23	2.9	4.4	2.8	478
230/630D/W33X		0.23	2.9	4.4	2.8	679
239/710X1D/C4W33X		0.17	4	5.9	3.9	718
26/750D/C4		0.22	3	4.5	2.9	920
230/750D/W33X		0.22	3	4.5	2.9	847
26/800D/W33X		0.23	2.9	4.4	2.8	1676
240/850D/W33		0.28	2.4	3.6	2.5	1944
240/850D-1/W33		0.28	2.4	3.6	2.5	1790
240/850D-5/W333X		0.28		3.6	2.5	1394
26/900D/C3W33X		0.27	2.5	3.7	2.5	1908
230/950D/W33X		0.2	3.4	5.1	3.3	1770
249/1180D/C3W33X		0.2		5	3.3	2246
240/1320D/C3W33X-1		0.26		3.8	2.5	5240
240/1320D/C3W33X		0.26	2.6	3.8	2.5	6021